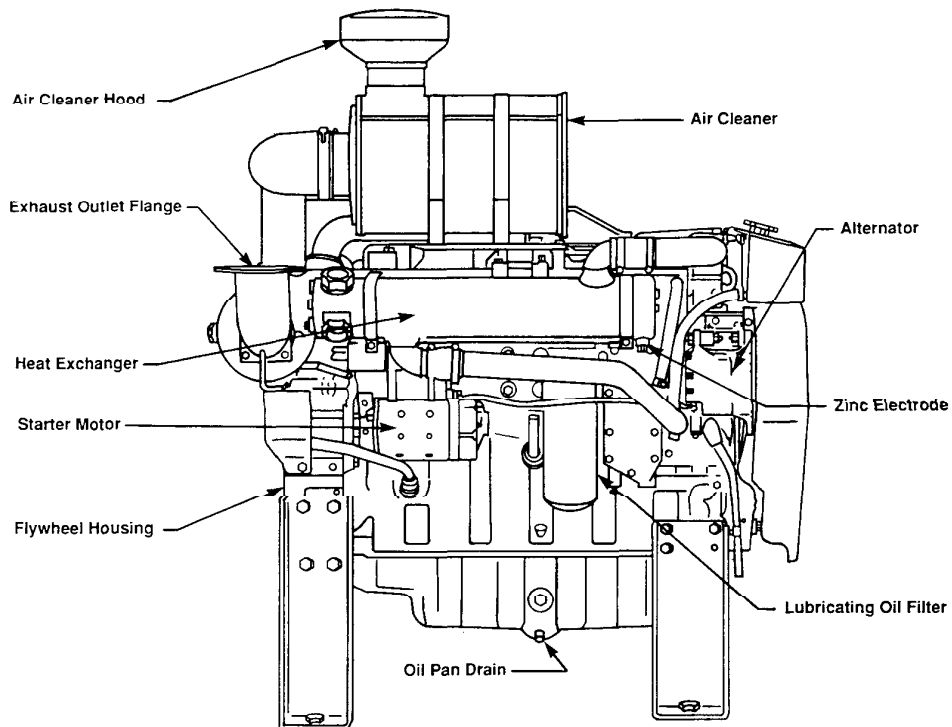
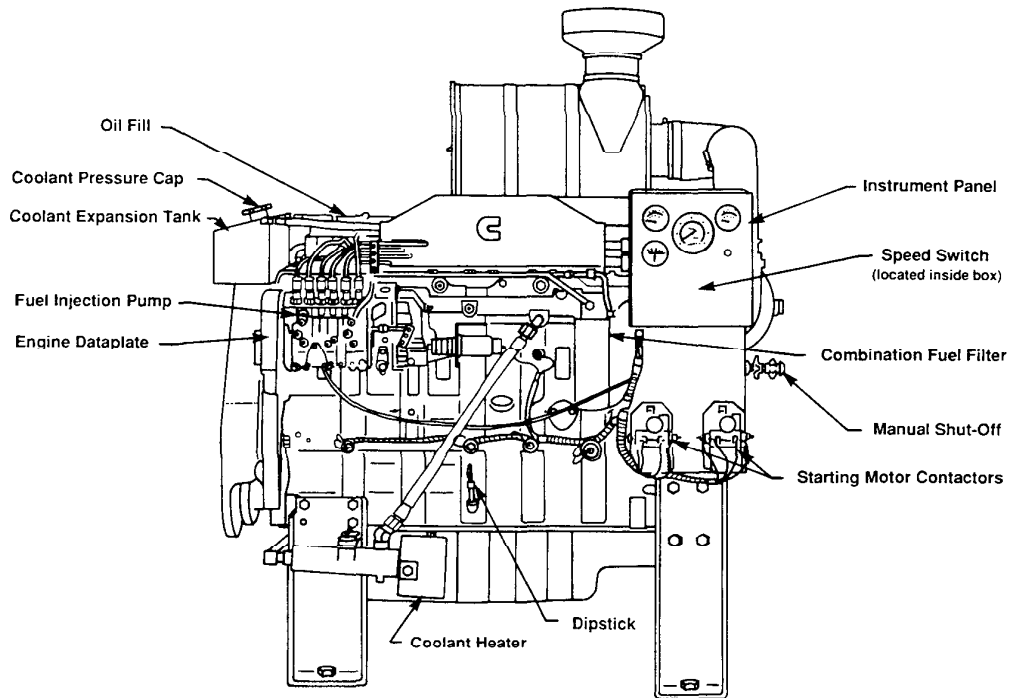


Cummins Parts Catalog

6CTA8.3 F1, F2, F3

The illustrations which follow show the locations of the major external engine components, the filters, and other service and maintenance points.

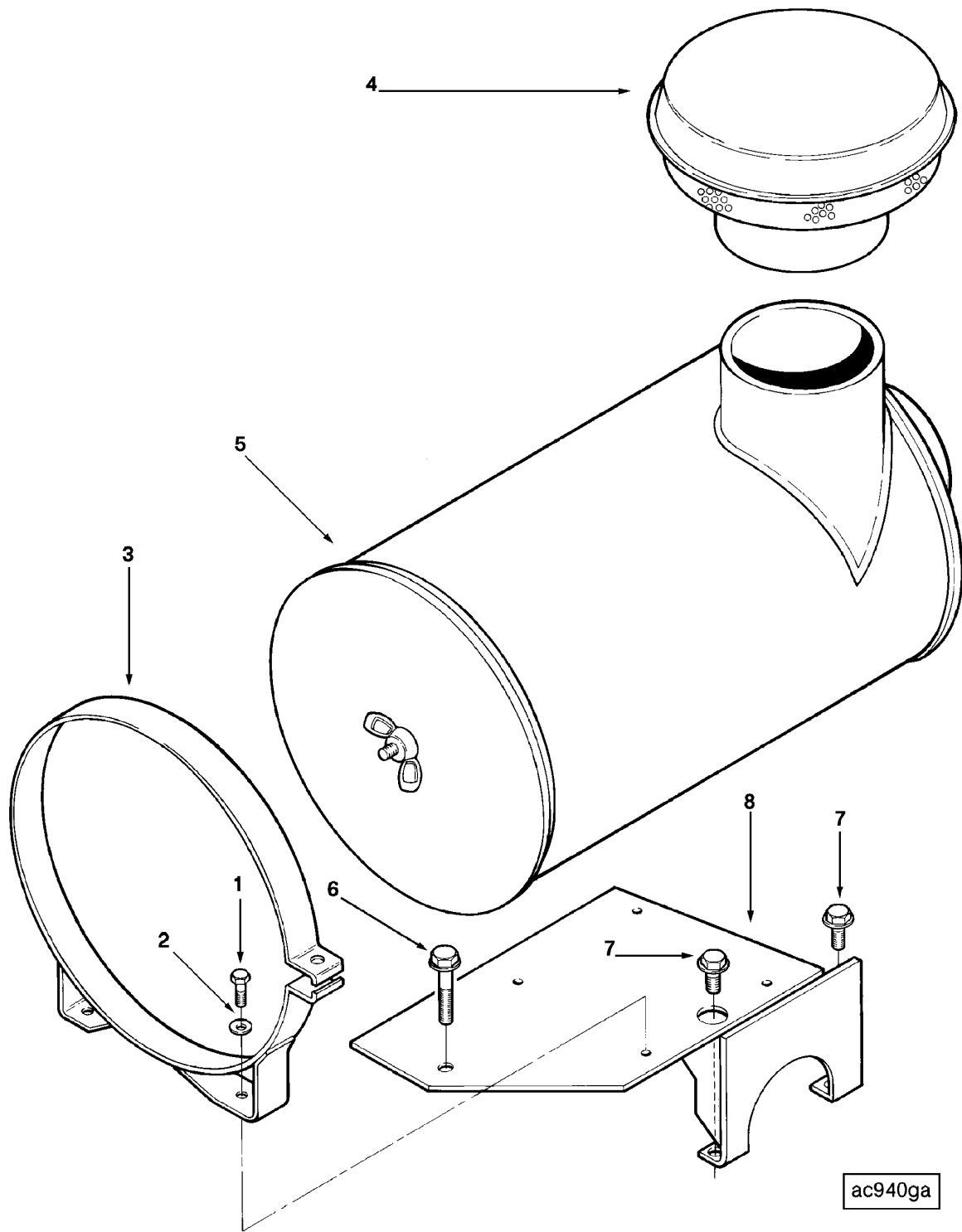




The following parts are suggested spares are for the Cummins 6CTA-F

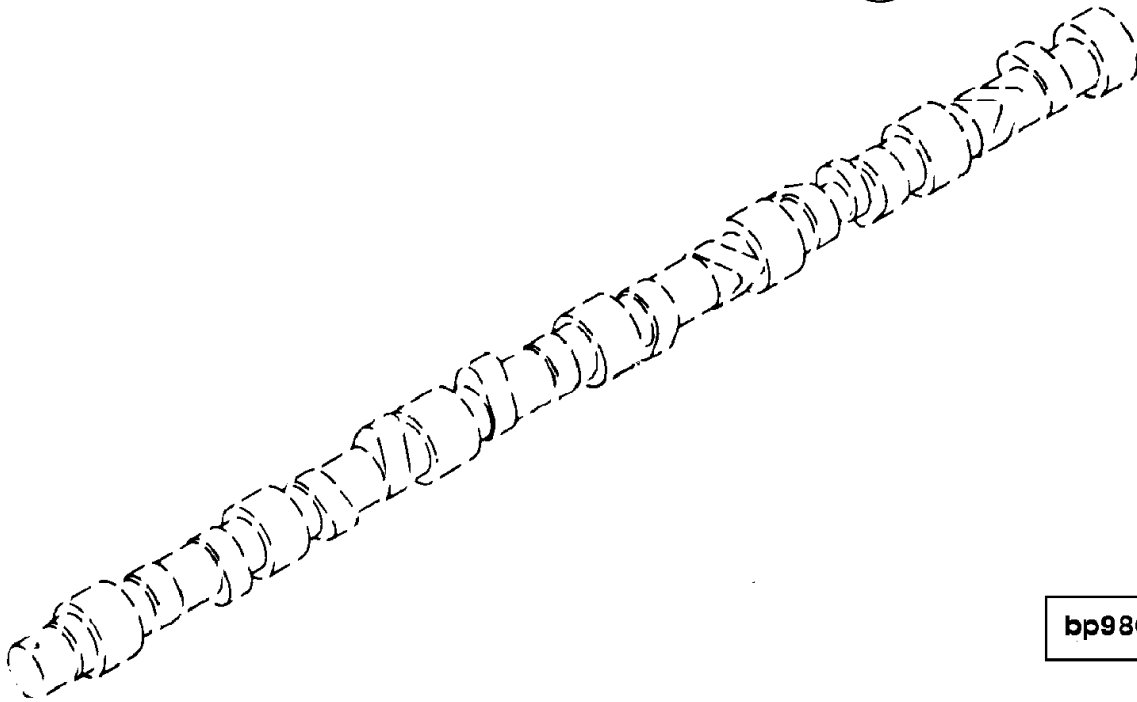
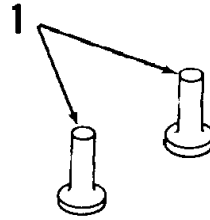
	Item	Quantity Per Service Interval	Cummins PN#	Fleetguard PN#
	6CTA8.3-F			
1 year or 250 hours	Air Cleaner	1	none	AF4669
	Fuel Filter	1	3843760	FS1251
	Lube Filter	1	3318853	LF3000
	Lube Oil	6 Gal.	3377363	
Check voltage	Alternator 12V	As needed	3016628	
	Alternator 24V	As needed	3016627	
	Belt	As needed	3911562	
Check voltage	Starter 12V	As needed	3921402	
	Starter 24V	As needed	3921403	
	Red Paint	As needed	3885910	

The Lube Oil part number 3377363 is for Cummins Premium Blue 15W40 oil supplied in one gallon plastic jugs.



ac940ga

REF NO	PART NUMBER	PART NAME	REQ	REMARKS
	AC9055	Air Cleaner	1	Air Cleaner Duty Rating: Heavy Air Cleaner Exhaust OD (mm): 57.14 Mounting Location: Engine - rear Manufacturer: Fleetguard Filter Quantity: 1 Environment Capability: Outdoor Filter Disposition: Disposable Supply Method: Mounted Engine Family: C Series Structure Code: 02 EBM Cylinders: 6 Aspiration: Jacket Water Aftercooled.
1	S-115	Screw, Hexagon Head Cap	4	5/16 - 18 x .875
2	146160	Washer, Plain	4	
3	3833680	Bracket, Air Cleaner	2	
4	3833697	Cap, Rain	1	
5	3837348	Cleaner, Air	1	
6	3901757	Screw, Hex Flange Head Cap	1	M10 x 1.50 x 75
7	3903990	Screw, Hex Flange Head Cap	2	M10 x 1.50 x 20
8	3919520	Bracket, Air Cleaner	1	



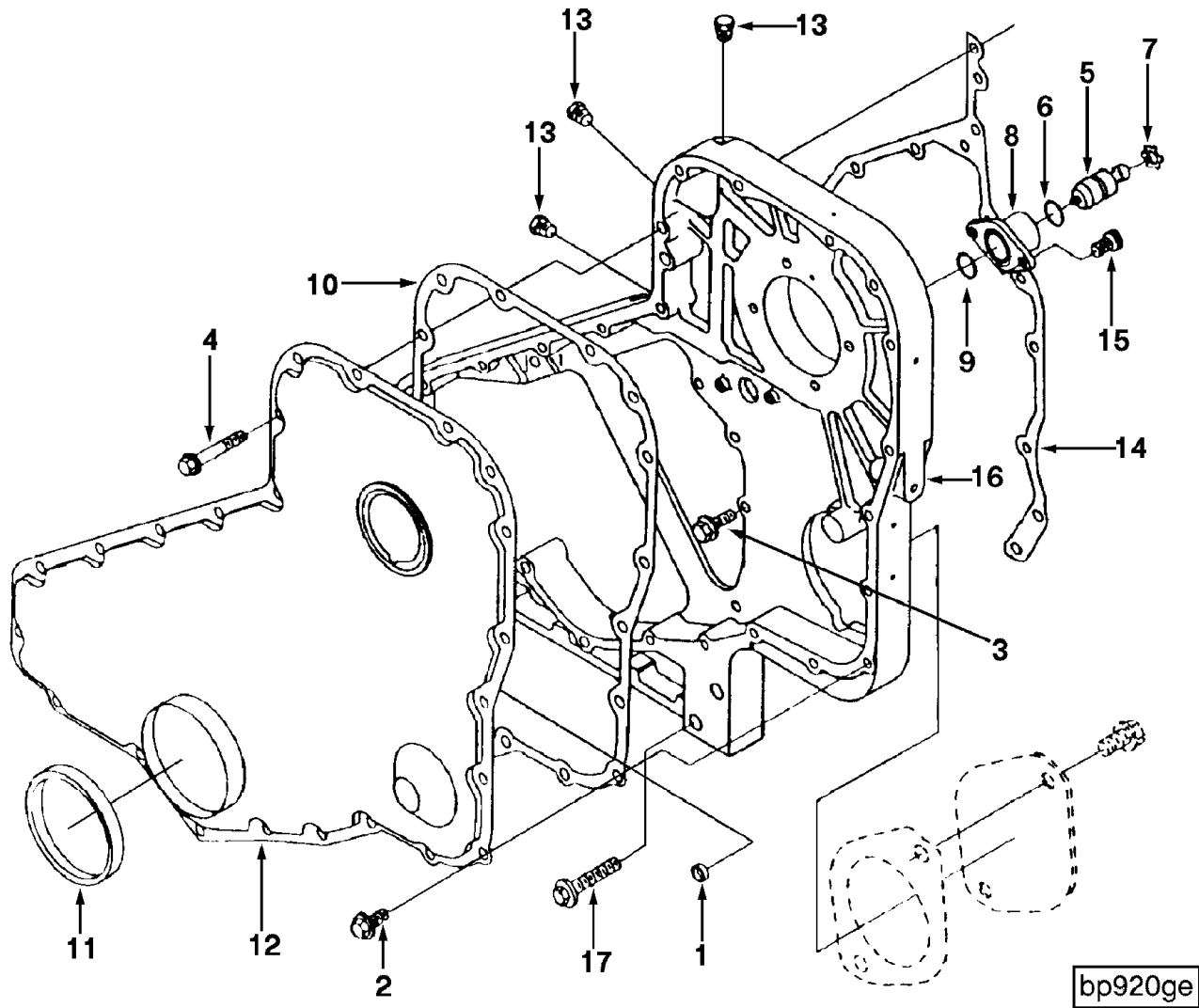
bp9802a

Group No. 04.01

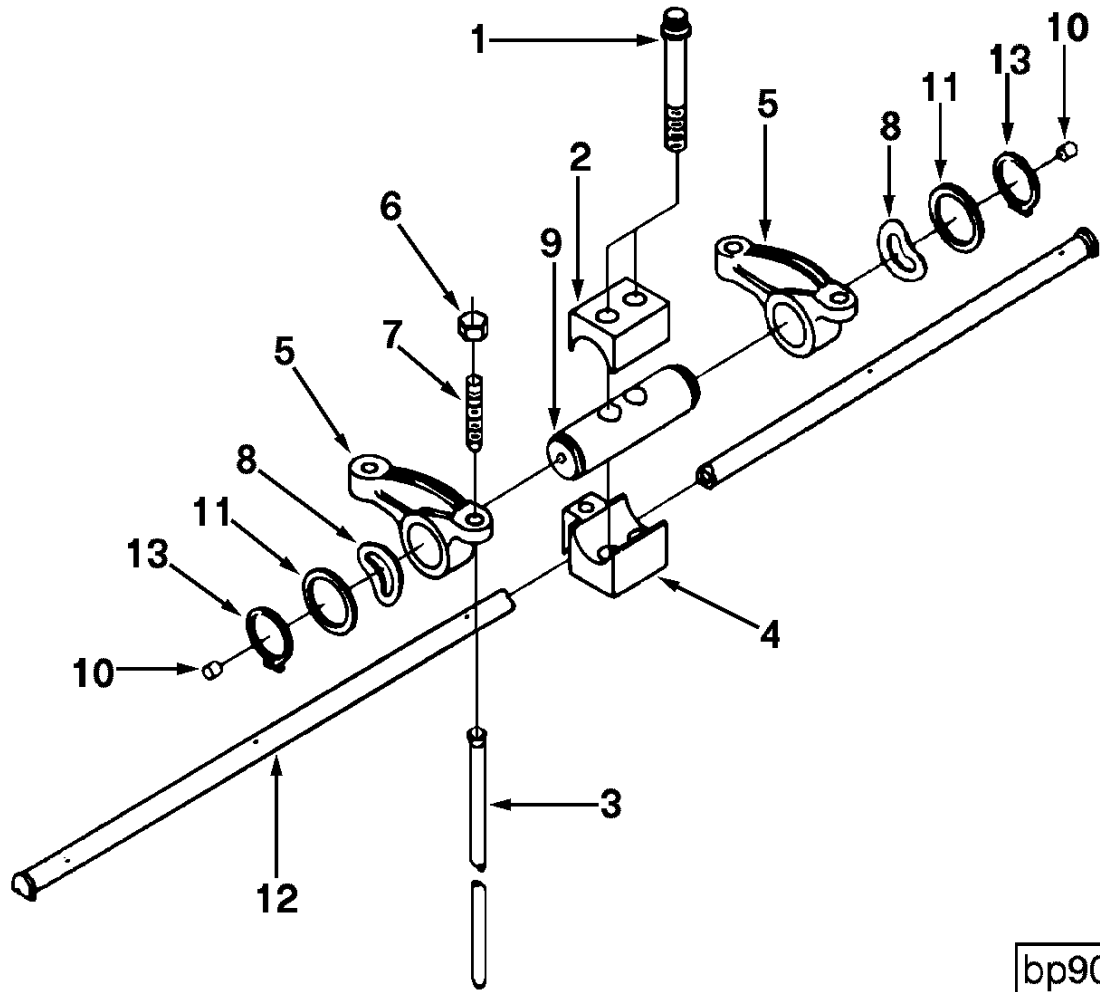
Valve-Tappets

Option No. BP9717

REF NO	PART NUMBER	PART NAME	REQ	REMARKS
	BP9717	Valve Tappets	1	CAMFOLLOWER COVER Engine Family: C Series Cylinders: 6 Structure Code: 02 EBM
1	3931623	Tappet, Valve	12	

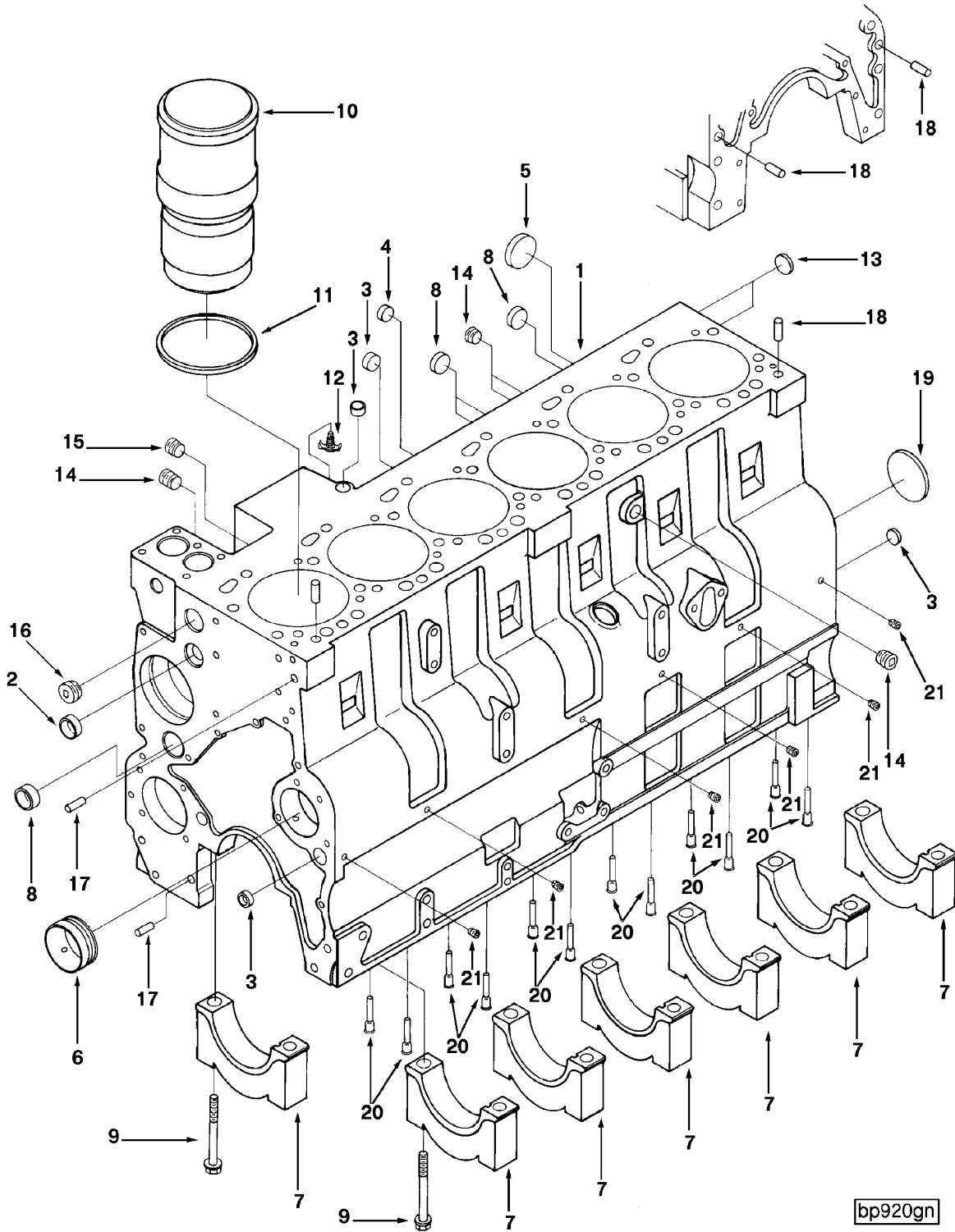


REF NO	PART NUMBER	PART NAME	REQ	REMARKS
	BP9733	Front Gear Cover	1	Front gear cover assembly with "high pto" drive, for use with Bosch "A" and "MW", and Nippondenso EP-9 fuel pumps, and without front engine support. Qty (3) 3906619 pipe plugs and Qty (1) 3915073 gear housing may be substituted for Qty (1) 3914316 gear housing.
1	210036	Plug, Expansion	1	
2	3900629	Screw, Hex Flange Head Cap	17	M8 x 1.25 x 16
3	3900630	Screw, Hex Flange Head Cap	5	M8 x 1.25 x 20
4	3900633	Screw, Hex Flange Head Cap	6	M8 x 1.25 x 50
5	3903924	Pin, Timing	1	
6	3913994	Seal, O Ring	1	
7	3904849	Ring, Retaining	1	
8	3905933	Housing, Timing Pin	1	
9	3915772	Seal, Rectangular Ring	1	
10	3917779	Gasket, Gear Cover	1	
11	3908139	Front Seal Service Kit	1	Includes Installation Tools
12	3916192	Cover, Gear	1	
13	3906619	Plug, Pipe	3	1/8 NPT
14	3914303	Gasket, Gear Housing	1	
15	3907998	Screw, Round Head Cap	2	M5 x 0.80 x 17
16	3915073	Housing, Gear	1	
17	3902116	Screw, Hex Flange Head Cap	4	M12 x 1.75 x 50

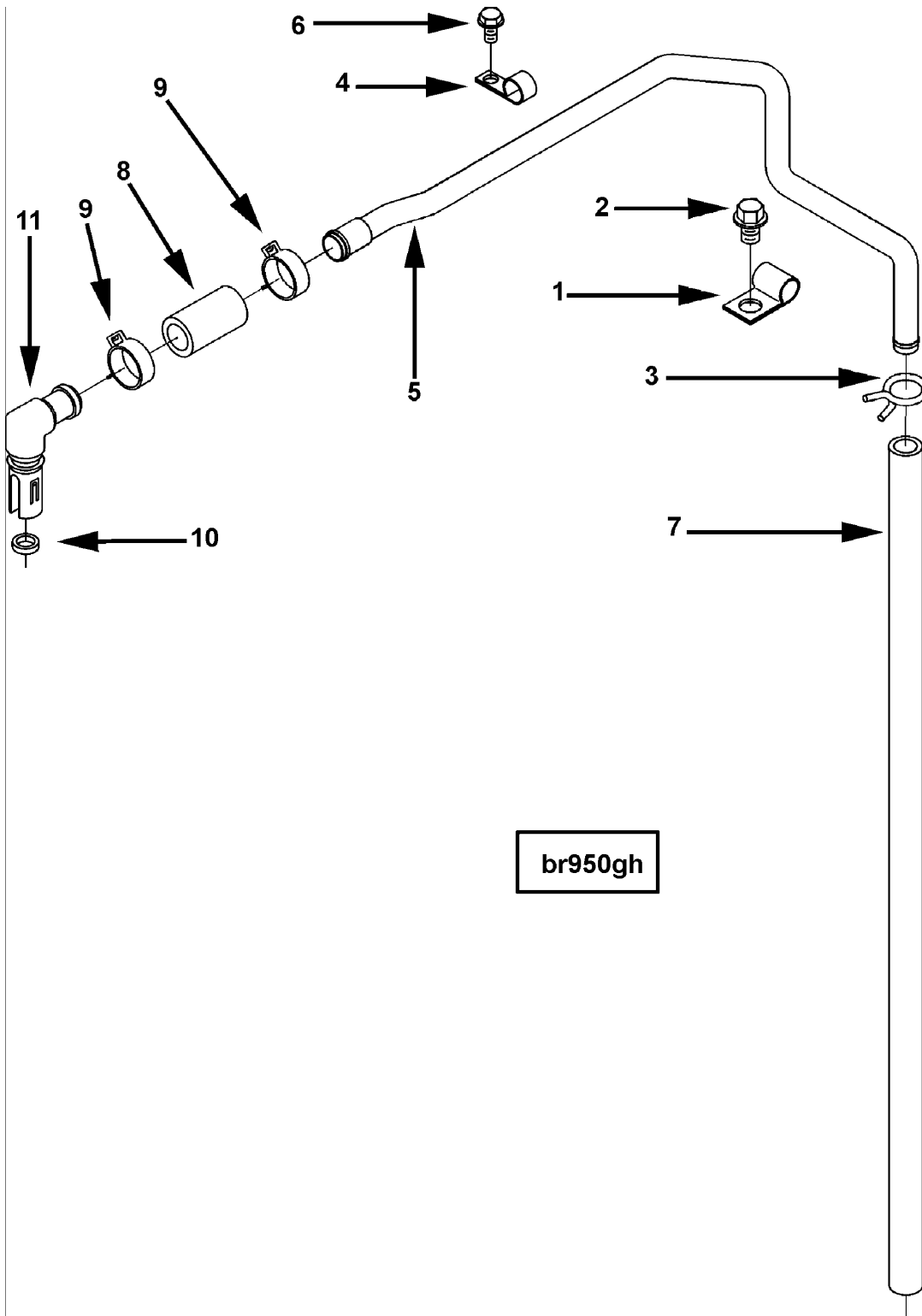


bp900gc

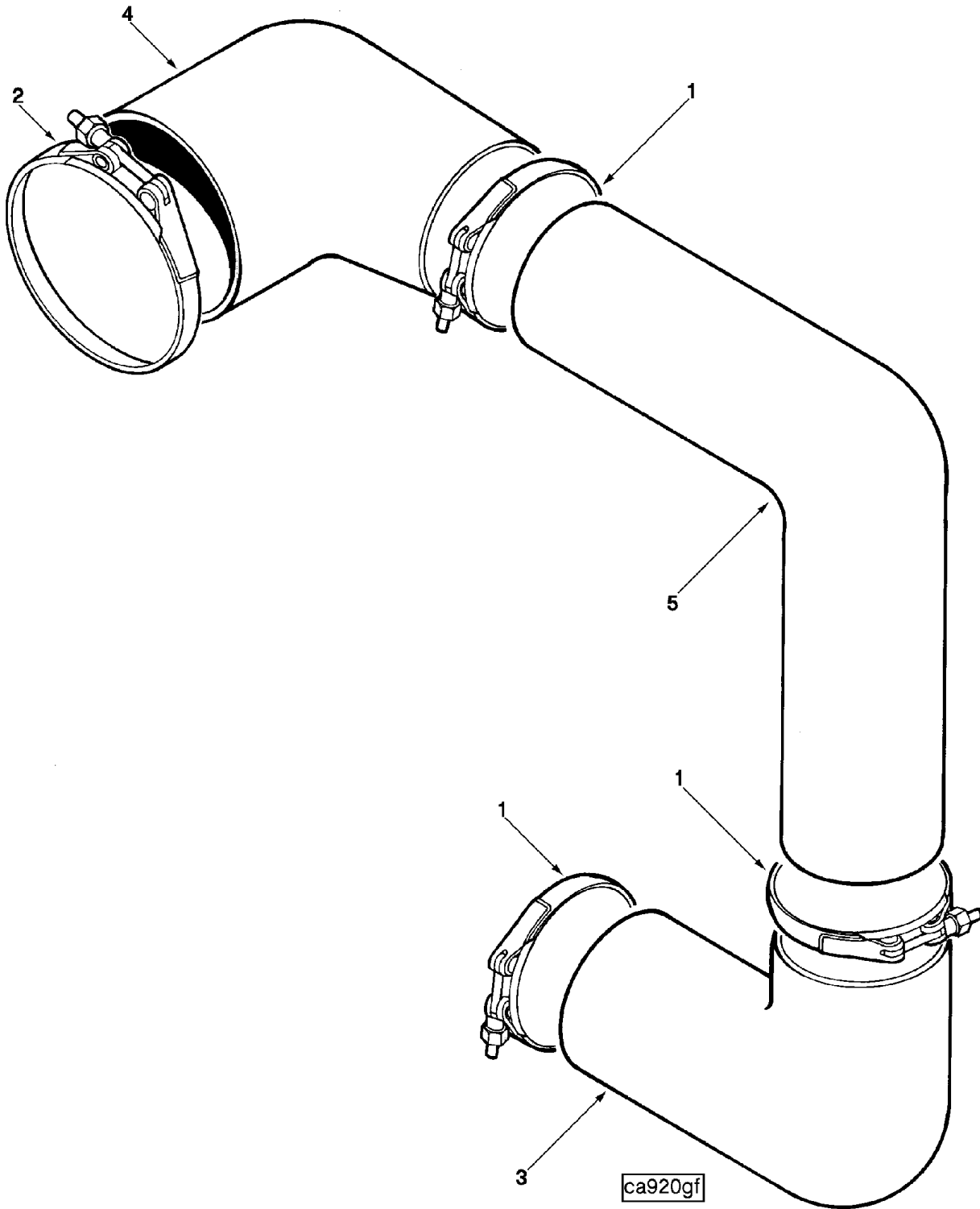
REF NO	PART NUMBER	PART NAME	REQ	REMARKS
	BP9795	Rocker Lever	1	Rocker Lever Engine Family: C Series Cylinders: 6 P/N 390006 can be used in place of 3934086.
1	3901617	Screw, Twelve Point Cap	12	M10 X 1.50 X 65
2	3901693	Clamp, Retaining	6	
3	3905194	Rod, Push	12	
4	3905870	Support, Rocker Lever	6	
5	3901717	Lever, Rocker	12	
6	3927692	Nut, Heavy Hexagon	1	3/8 - 24 UNF
7	3934086	Screw, Rkr Lever Adjusting		
8	3906100	Washer, Spring	12	
9	3919435	Shaft, Rocker Lever	6	
10	3919434	Rivet	2	
11	3907206	Washer, Plain	12	
12	3919677	Manifold, Oil	1	
13	3901764	Ring, Retaining	12	



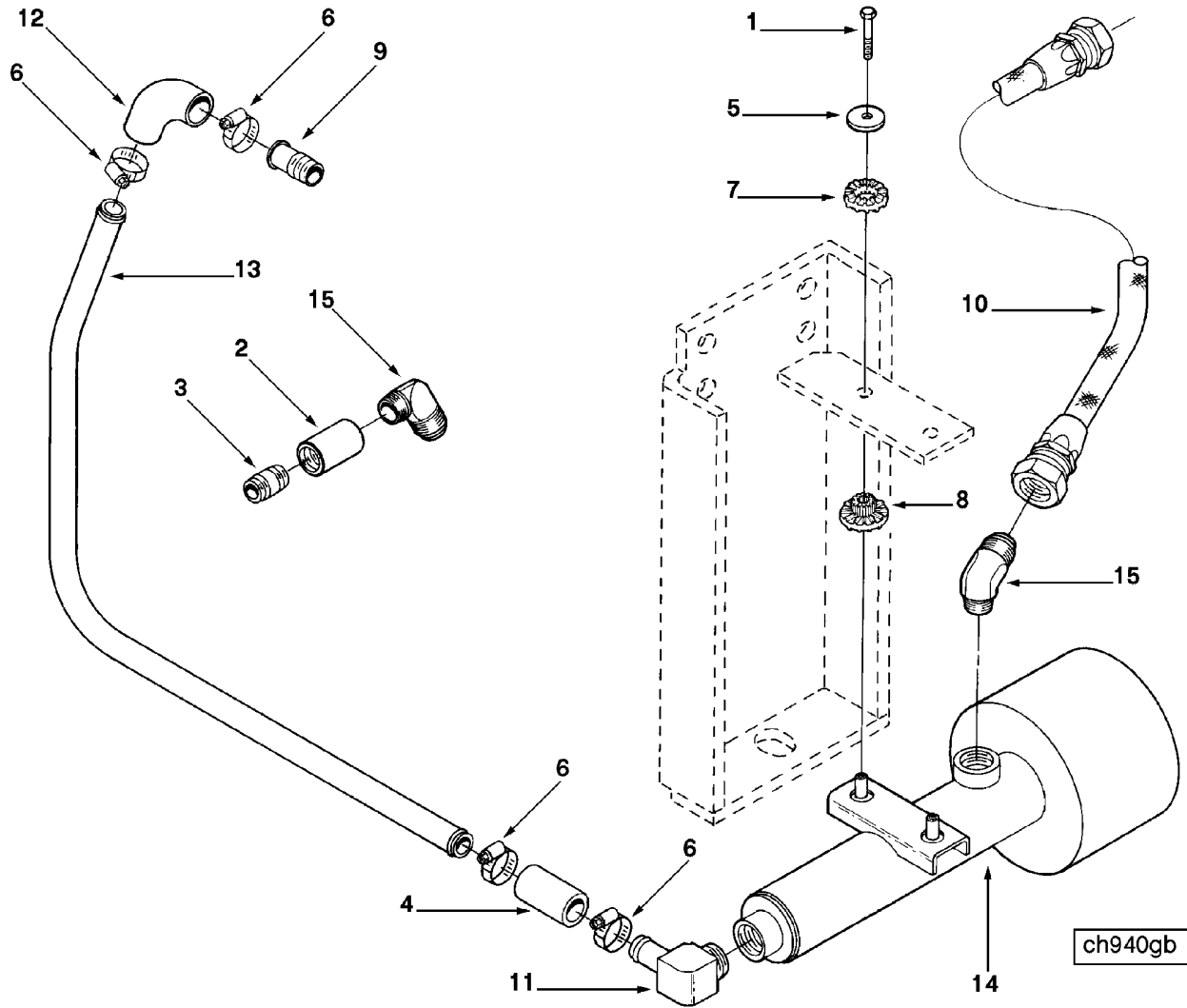
REF NO	PART NUMBER	PART NAME	REQ	REMARKS
	BP97003	Cylinder Block	1	Cylinder Block Engine: C Series Cylinders: 6 Aspiration: Sea Water Aftercooled Turbo Exh. Outlet Location: Rear Mount Restricted Fuel Pump Mfg/Model: Bosch A Bosch MW 156075 expansion plug to be installed in lower hole in rear of block.
	3802408	Block, Cylinder	1	
1	3919934	Block, Cylinder	1	
2	143066	Plug, Expansion	1	
3	3004258	Plug, Expansion	4	
4	156075	Plug, Expansion	2	
5	(3812090)	Plug, Expansion	1	
6	3901685	Bushing	7	
7	3917313	Cap, Main Bearing	7	
8	3905401	Plug, Expansion	4	
9	3916369	Screw, Hex Flange Head Cap	14	M14 x 2.00 x 128
	3802367	Kit, Cylinder Block	1	
4	(3812090)	Plug, Expansion	1	
12	S-923-E	Draincock	1	
13	3920706	Plug, Expansion	2	1 3/16 inch
14	3008468	Plug, Pipe	4	1/2 NPT
15	3008469	Plug, Pipe	2	3/4 NPT
16	3008470	Plug, Pipe	1	1 NPT
17	3900257	Dowel, Pin	2	
18	3901846	Dowel, Pin	4	
19	3901969	Plug, Expansion	1	
20	3919003	Nozzle, Piston Cooling	12	
21	3906619	Plug, Pipe	6	1/8 NPT
	3802407	Kit, Liner	6	
10	(3919937)	Liner, Cylinder	1	
11	3907177	Seal, Rectangular Ring	1	
		COUNTERBORE		
		SERVICE SHIMS		
	3914653	Shim	A/R	0.25mm (0.010 inch) Oversize
	3914654	Shim	A/R	0.38mm (0.015 inch) Oversize
	3914655	Shim	A/R	0.50mm (0.020 inch) Overize



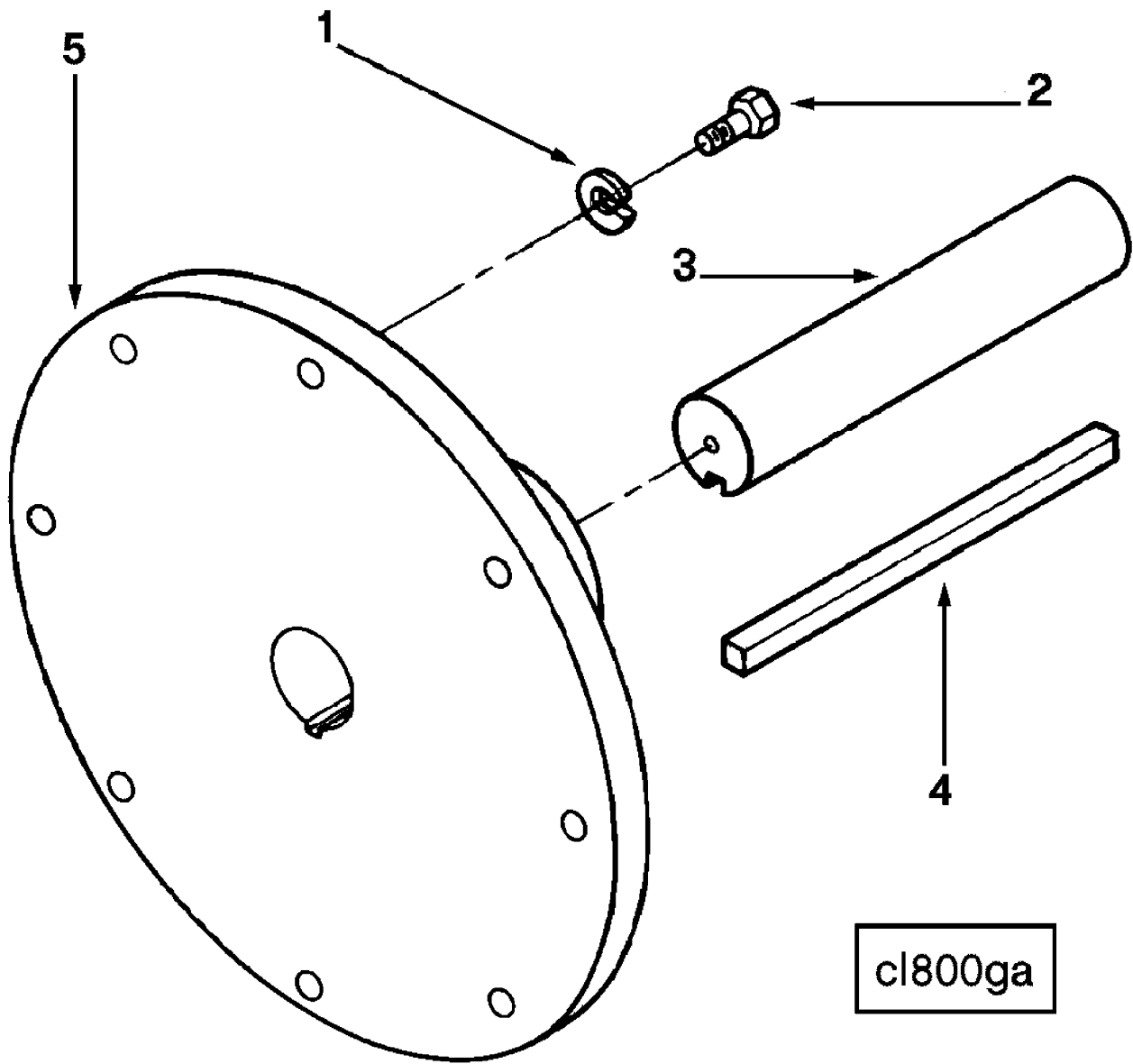
REF NO	PART NUMBER	PART NAME	REQ	REMARKS
	BR9002	Crankcase Breather	1	CRANKCASE BREATHER Breather Type: Open Breather Vent Tube End Location: Below oil pan rail Tube Routing: Fuel Pump Side Attachment Clip Provision: Yes Breather Vent Location: Between 3 & 4 Required Mounting Provision: 22.26 MM Diameter Engine Families: C Series
1	70622	Clip	1	
2	3901249	Screw, Hex Flange Head Cap	1	M12 x 1.75 x 25
3	3907740	Clamp, Spring Hose	1	
4	3907741	Clip	1	
5	3909669	Tube, Breather	1	
6	3912072	Screw, Self Tapping Metal	1	M8 x 1.25 x 15
7	3930827	Hose, Plain	1	
8	3918616	Hose, Plain	1	
9	3934496	Clamp, Hose	2	
10	(3934865)	Seal, Rectangular Ring	1	
11	(3935113)	Connection, Vent	1	



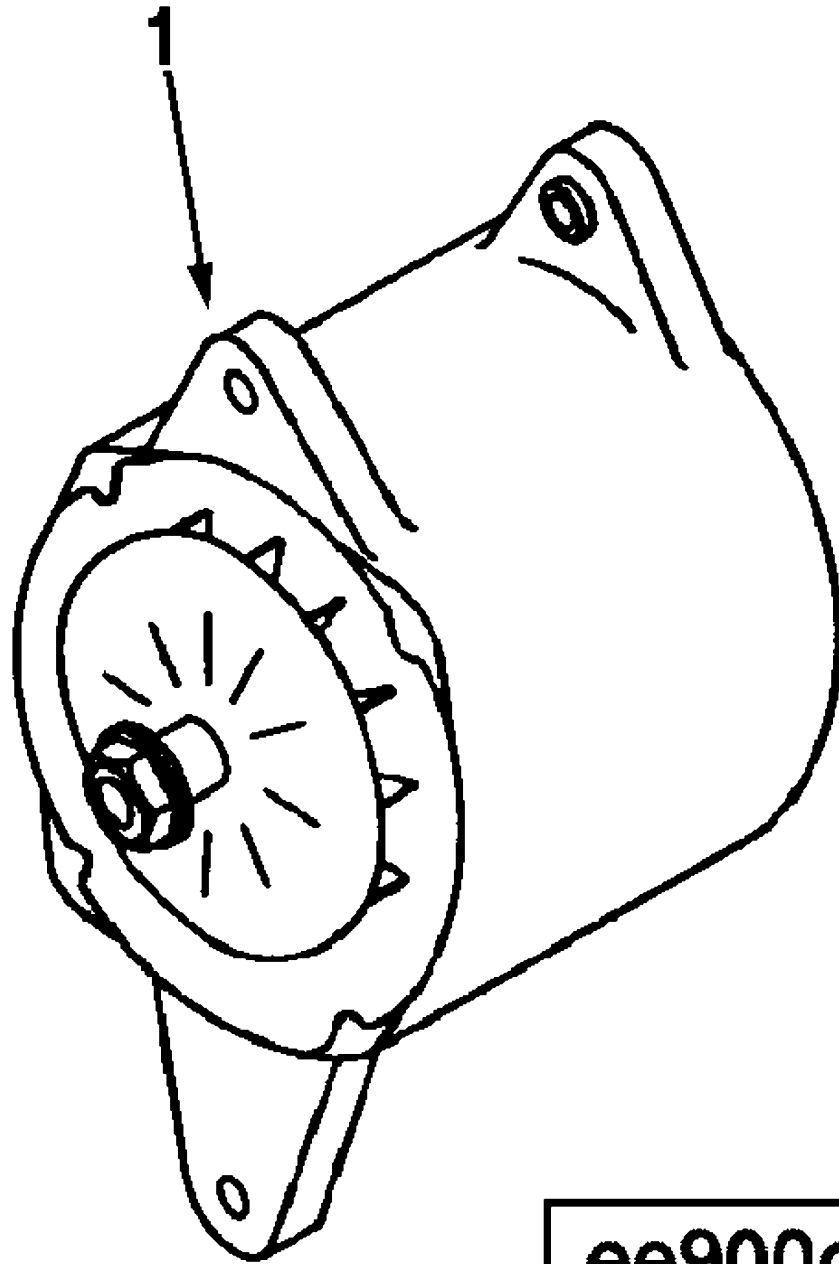
REF NO	PART NUMBER	PART NAME	REQ	REMARKS
	CA9058	Air Cleaner Plumbing	1	Air Cleaner Plumbing Engine Family: C Series Hose Type: Hump Size to Size: 4 IN. to 4 IN. Hose Length (mm): 127.00 Hose Material: 25, 002 Temp Limit (deg C): -50/+125 Clamp Supplier: Cummins Aspiration: Sea Water Aftercooled.
1	125740	Clamp, T Bolt	3	4 1/2 inch
2	149437	Clamp, T Bolt	1	
3	3030770	Hose, Elbow	1	
4	3917580	Hose, Elbow	1	
5	3919559	Tube, Air Inlet	1	



REF NO	PART NUMBER	PART NAME	REQ	REMARKS
	CH9028	Coolant Heater	1	120/240 Volt, 1500 Watt Tank Type Coolant Heater for 6CTA8.3F1. Mounting hardware included.
1	S-168-C	Screw, Hexagon Head Cap	2	1/2 - 20 x 1.00
2	S-907-B	Union, Plain Female	1	
3	S-920	Nipple, Plain Pipe	1	
4	106334	Hose, Plain	1	
5	204991	Washer, Plain	2	5/16 Inch
6	210753	Clamp, Hose	4	9/16 - 1 1/4 inch
7	3035083	Isolator, Vibration	2	
8	3035084	Isolator, Vibration	2	
9	3907167	Coupling, Plain Hose	1	
10	3911875	Hose, Flexible	1	
11	3911880	Coupling, Elbow Hose	1	
12	3918607	Hose, Elbow	1	
13	3919563	Tube, Water Transfer	1	
14	3919577	Heater, Engine	1	
15	3911879	Elbow, Male Adapter	2	

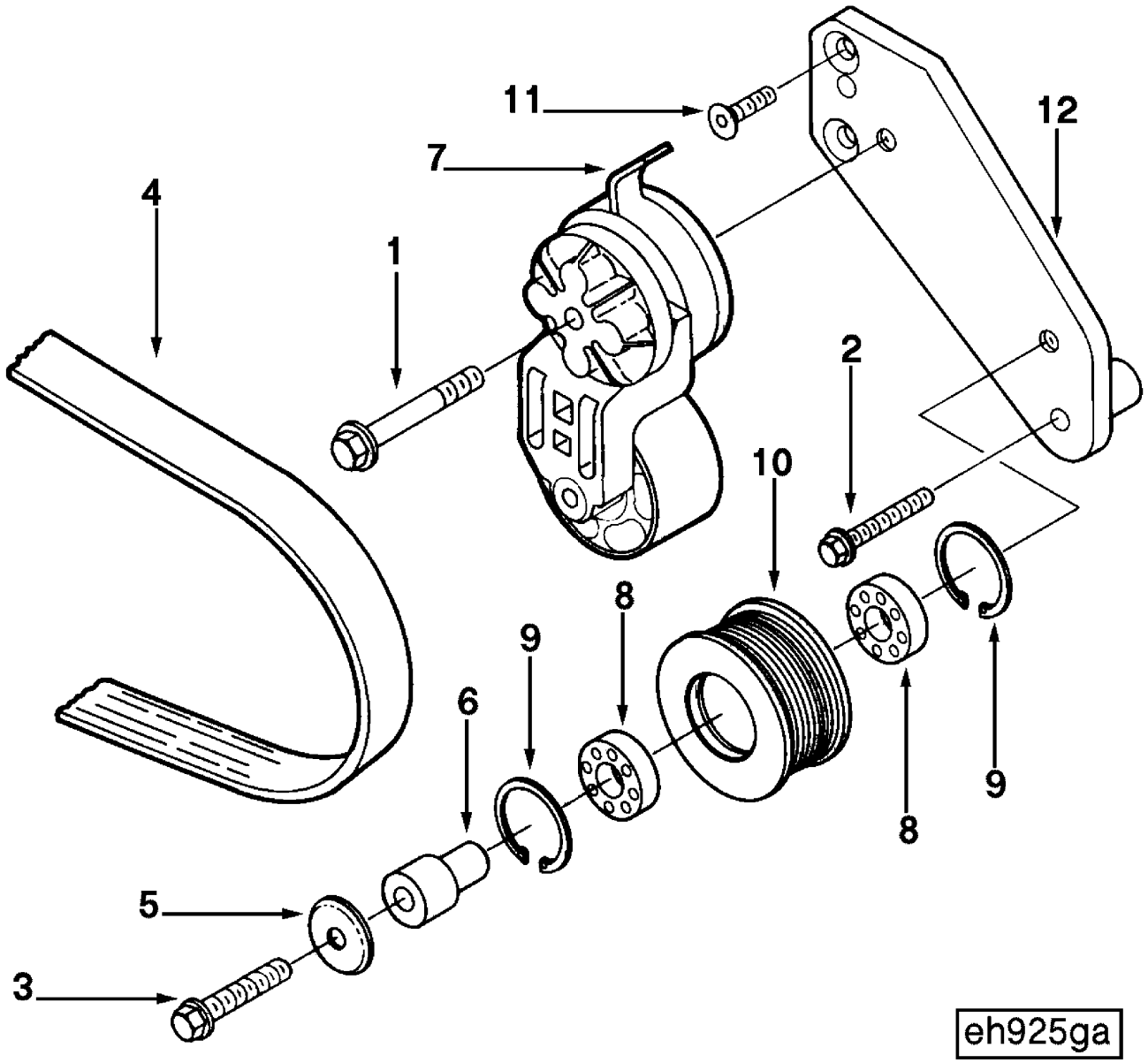


REF NO	PART NUMBER	PART NAME	REQ	REMARKS
	CL8022	Stubshaft	1	Stubshaft 2 1/4 inch diameter and 6 inch extension with square key. Mounted with grade 8 capscrews. Flange is 18 3/8 inch diameter and mounts to standard SAE 14 inch clutch flywheel.
1	S-608	Washer, Lock	8	
2	213365	Screw, Hexagon Head Cap	8	1/2 - 13 x 2.00
3	41320-D	Shaft, Stub	1	
4	62399-N	Key, Square	1	
5	3031348	Flange, Power Takeoff	1	

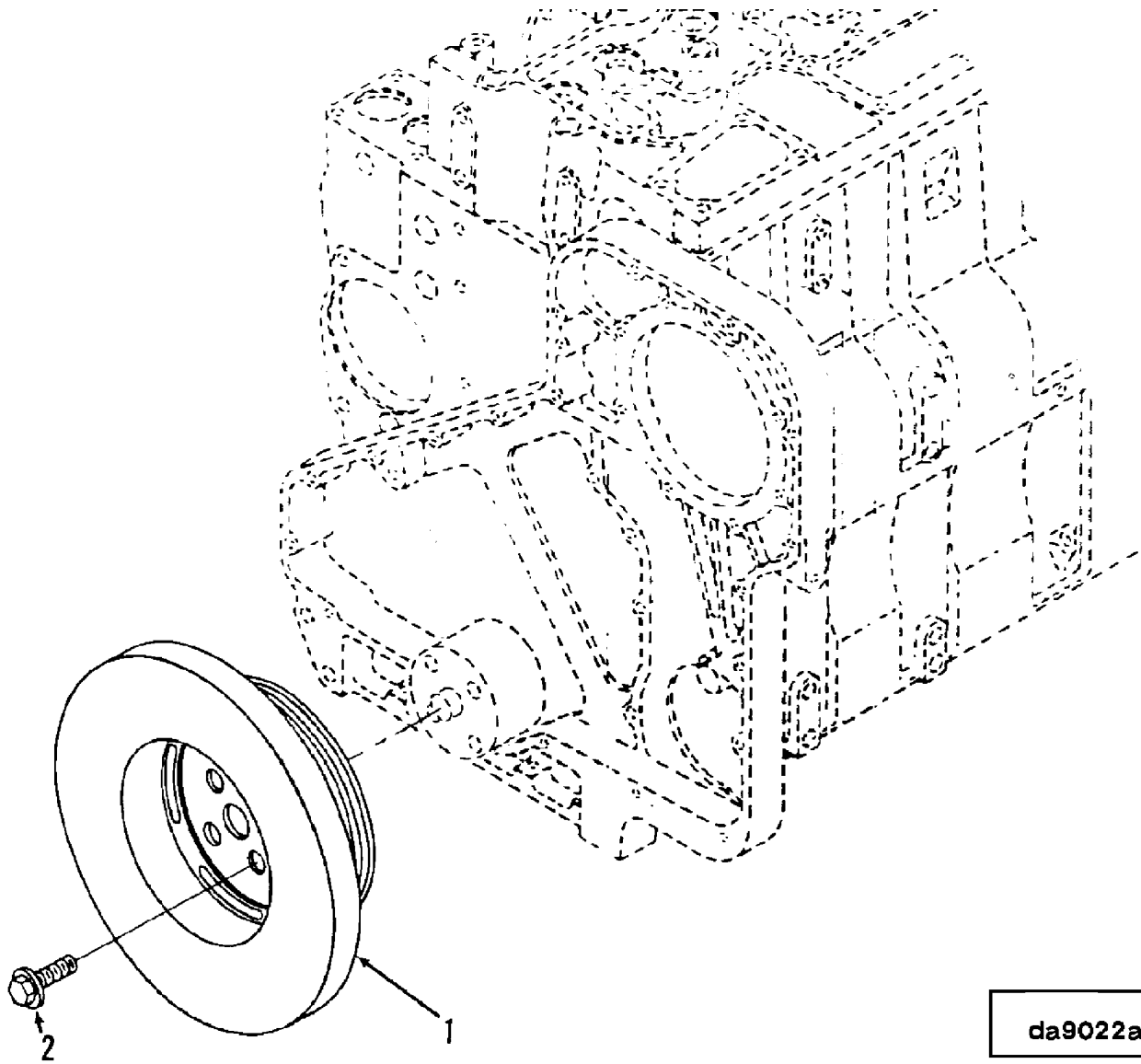


ee900gc

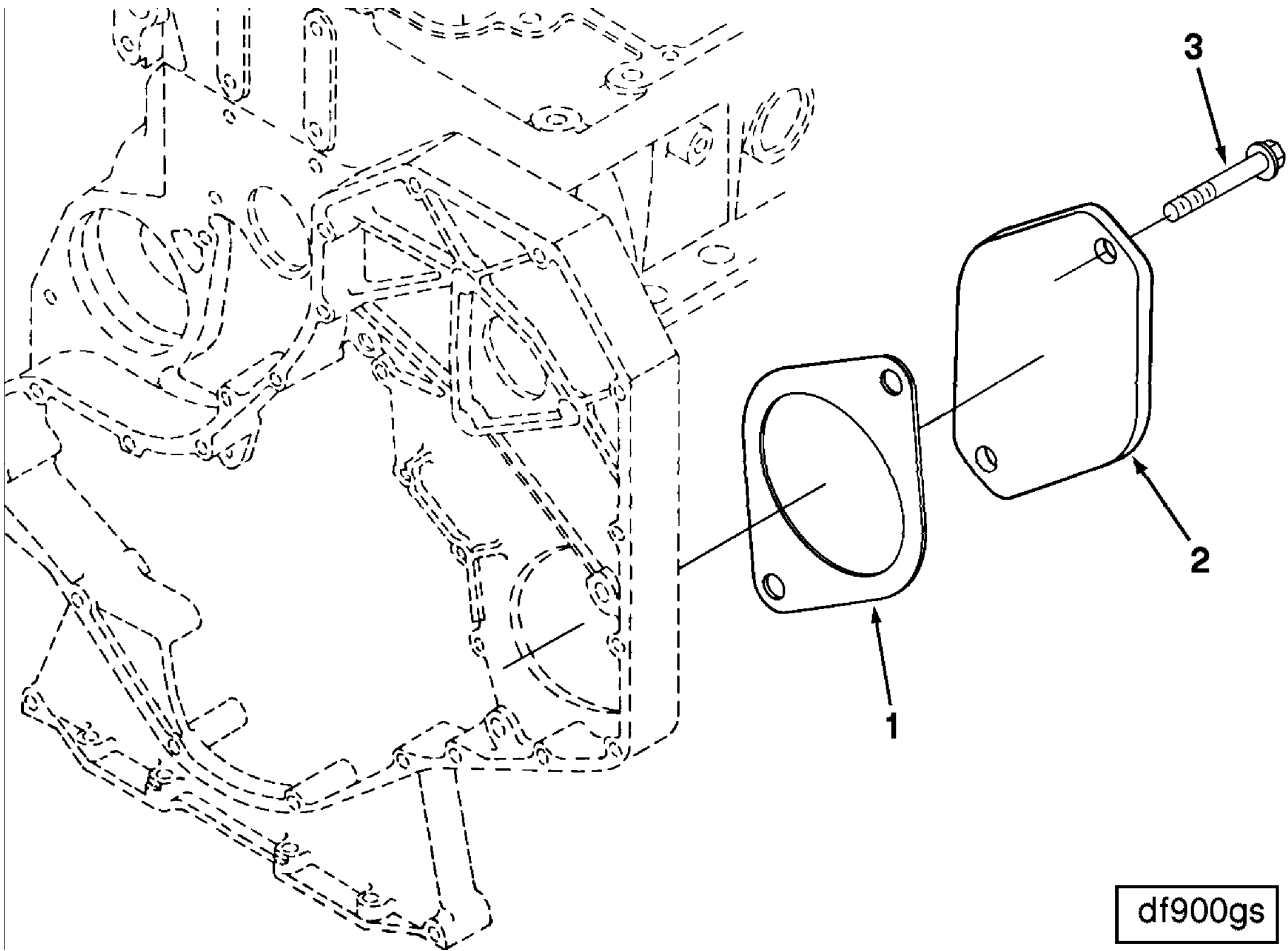
REF NO	PART NUMBER	PART NAME	REQ	REMARKS
	EE9002	Alternator	1	Alternator Alternator Manufacturer/Model: Delco Remy 20 SI up to 12V/60A Voltage: 12 Amperage: 60 Functions w/horizontal Oil Filter: No Alternator Body Length (mm): 143 Engine Family: B Series C Series
1	3016628	Alternator	1	



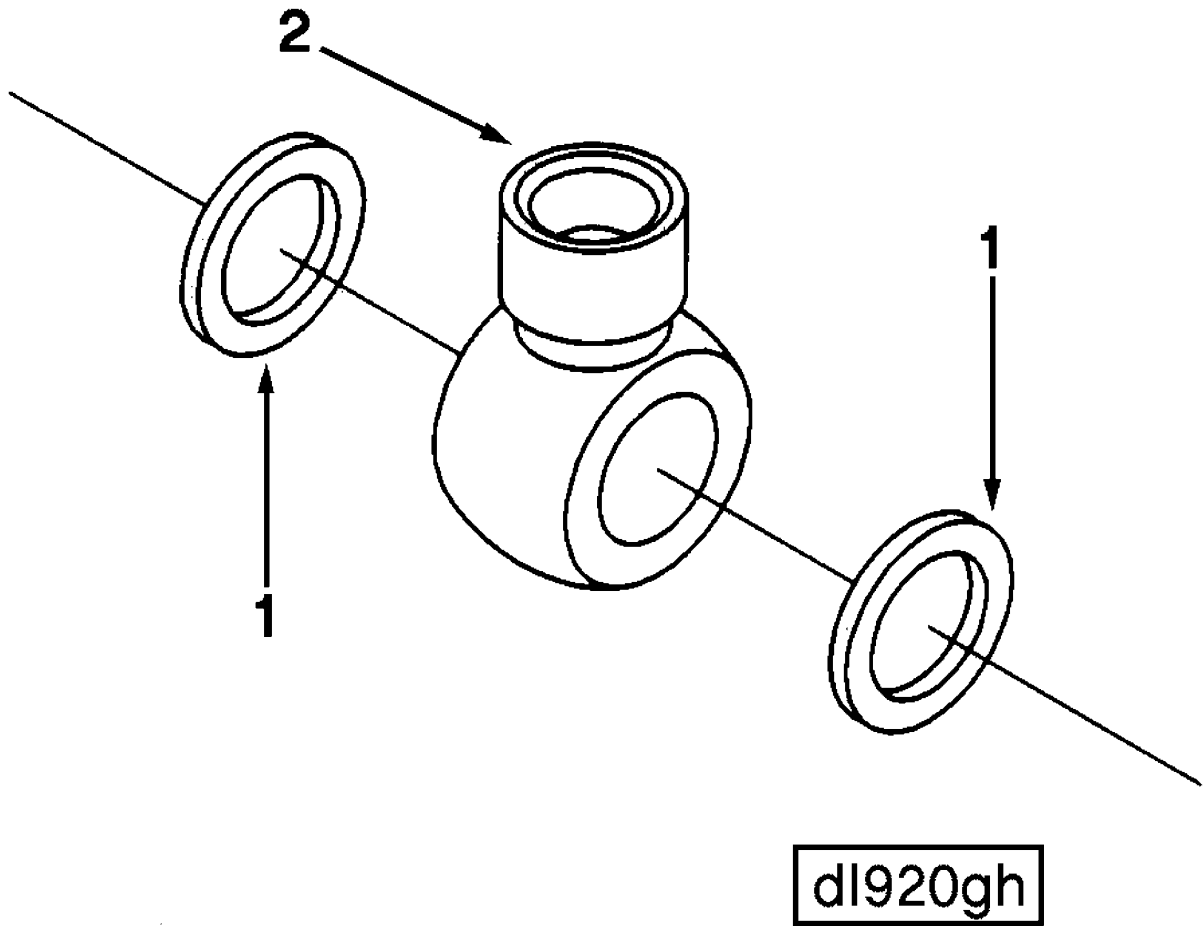
REF NO	PART NUMBER	PART NAME	REQ	REMARKS
	EH97007	Alternator Drive	1	Alternator Drive Tensioner Pulley Type: Standard Water Pump Pulley Diameter (mm): 88.00 Belt Supplier: Cummins Damper Pulley Effective Diameter (mm): 173.76 Structure Code: 02 EBM Engine Family: C Series Alternator Manufacturer/Model: Bosch N-1 up to 14V/110A Bosch N-1 up to 28V/80A Delco Remy 20 SI up to 12V/60A Delco Remy 20 SI up to 24V/60A Delco Remy 21 SI up to 12V/100A Delco Remy 21 SI up to 24V/70A Prestolite LNA 9524
1	3282081	Screw, Hex Flange Head Cap	1	M10 x 1.50 x 75
2	3900633	Screw, Hex Flange Head Cap	1	M8 x 1.25 x 50
3	3910901	Screw, Hex Flange Head Cap	1	M10 x 1.50 x 55
4	3911562	Belt, V Ribbed	1	
5	3921533	Shield, Dust	1	
6	3924798	Shaft, Idler	1	
7	3922900	Tensioner, Belt	1	
8	(3032105)	Bearing, Ball	2	
9	3066964	Ring, Retaining	2	
10	3926901	Pulley, Idler	1	
11	3925186	Screw, Flat Head Cap	2	M8 x 1.25 x 25
12	3925697	Bracket, Belt Tensioner	1	



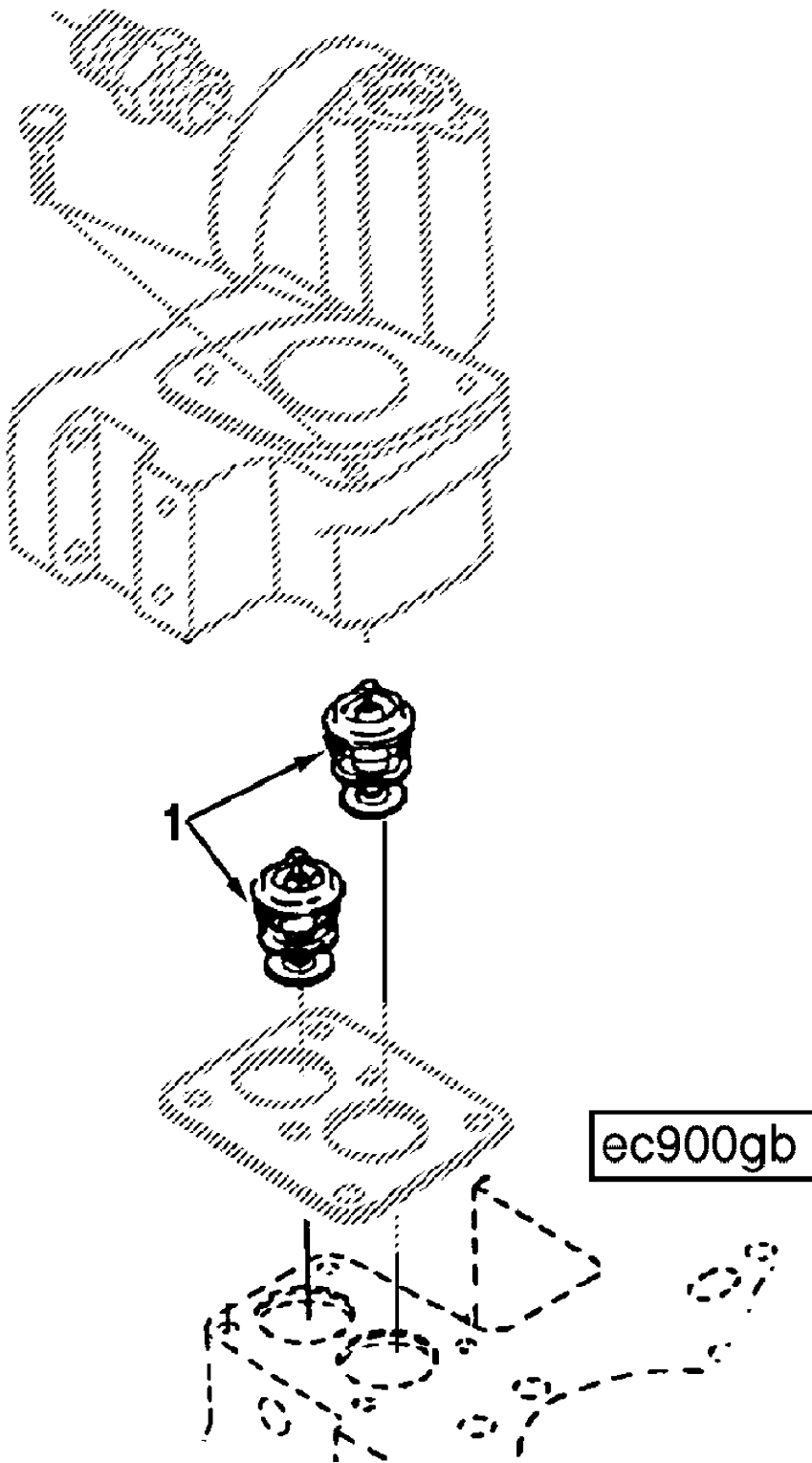
REF NO	PART NUMBER	PART NAME	REQ	REMARKS
	DA9022	Vibration Damper	1	Vibration Damper Engine Family: C Series Damper Pulley Effective Diameter (mm): 173.76 Damper Diameter (mm): 246.00 Damper RPM Limitation: 2200 and below Damper Type: Rubber Pulley Type: Cast 8 groove Front PTO Provision: No Tach Pick-up Provision: No High Inertia Damper: No Structure Code: 02 EBM Additional Pulley Provision: None To be used on applications where governed speed or rated speed is 2200 RPM or below.
1	3925568	Damper, Vibration	1	
2	3906733	Screw, Hex Flange Head Cap	4	M14 X 1.50 X 35



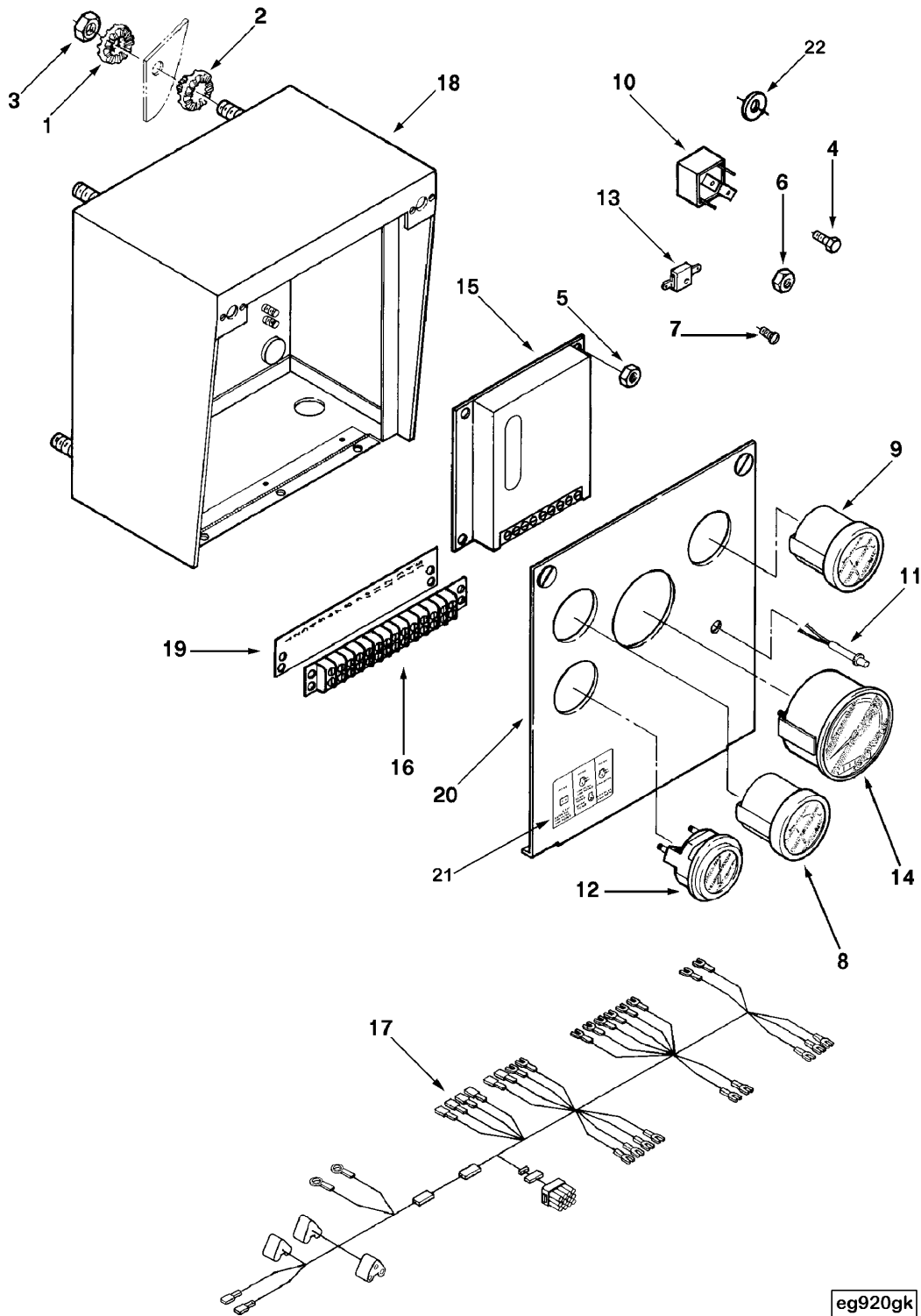
REF NO	PART NUMBER	PART NAME	REQ	REMARKS
	DF9063	Front Gear Drive	1	Front Gear Train Accessory Drive Cover Plate Provided: Yes Structure Code: 02 EBM Engine Families: C Series Cover plate only, to be selected when no air compressor, raw water pump or gear driv vacuum pump is selected.
1	3931608	Gasket, Acc Drive Cover	1	
2	3914868	Plate, Cover	1	
3	3901249	Screw, Hex Flange Head Cap	2	M12 x 1.75 x 25



REF NO	PART NUMBER	PART NAME	REQ	REMARKS
	DL9025	Fuel Drain Location	1	Drain Location Drain Tube OD (mm): 8.00 Connection Type: 1/4-18 NPT Customer Connect Location: Fuel Pump - Outboard Engine Family: C Series Restricted Fuel Pump Mfg/Model: Bosch MW
1	3925749	Connector, Banjo	1	
1	3918192	Washer, Sealing	2	14MM

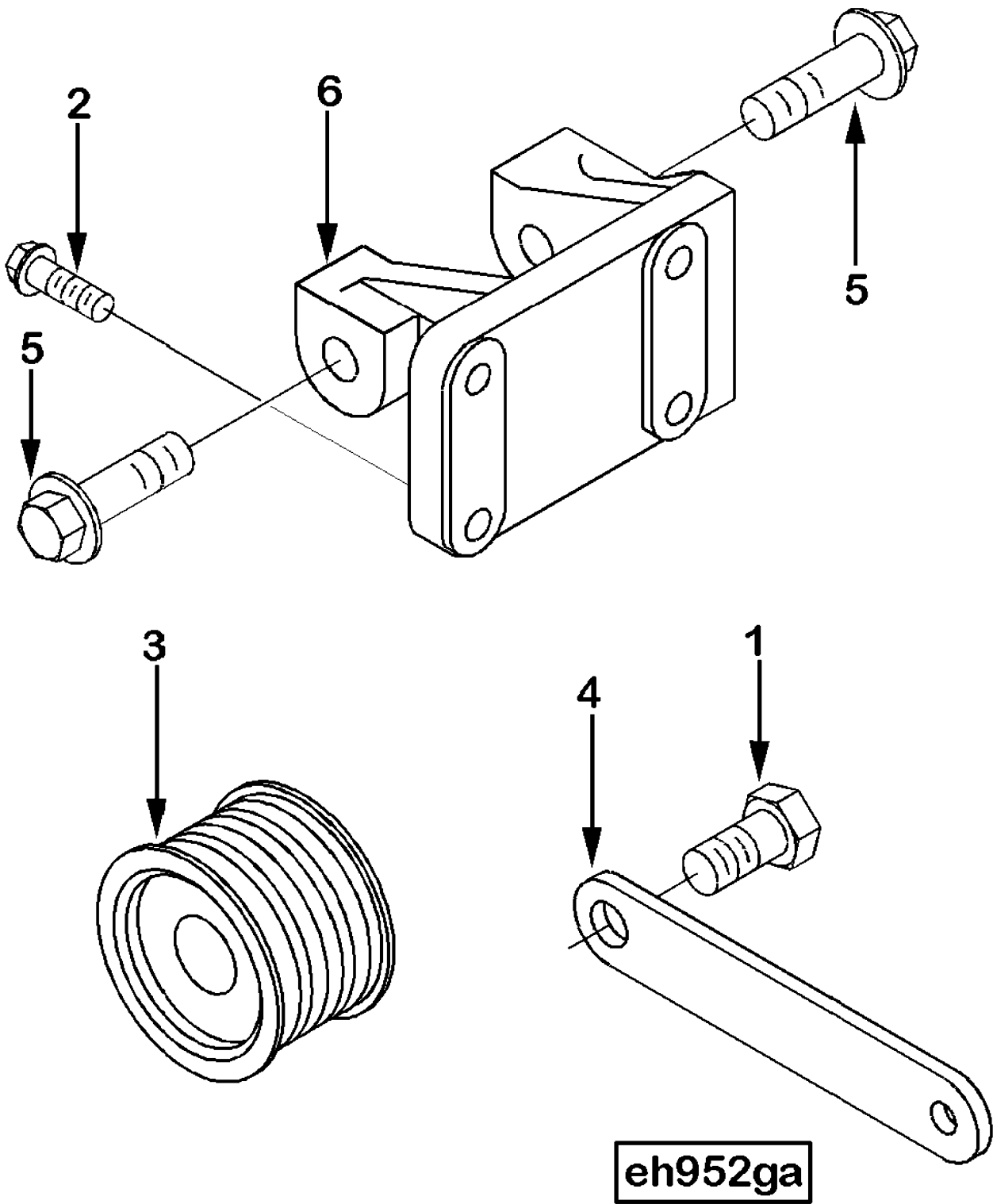


REF NO	PART NUMBER	PART NAME	REQ	REMARKS
	EC9002	Thermostat	1	Thermostat for C series engines which begins to open at 180 degree F (83 degree C)
1	3928639	Thermostat	2	

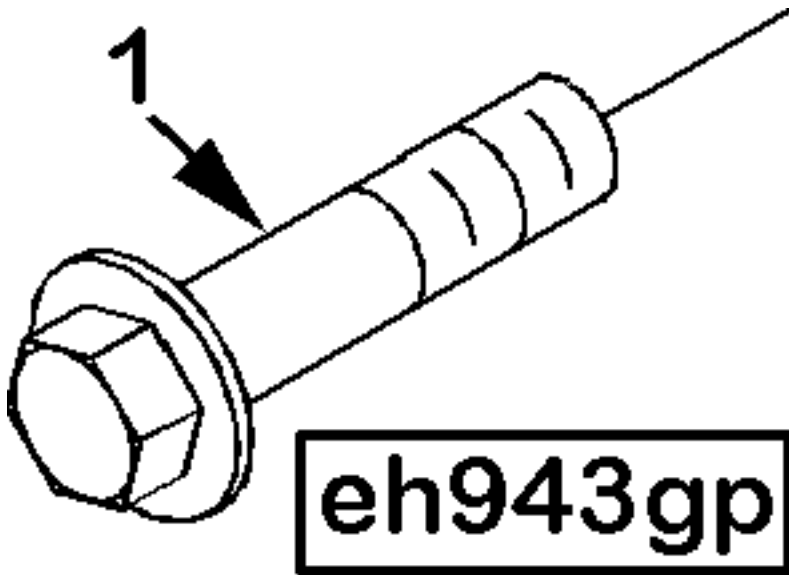


eg920gk

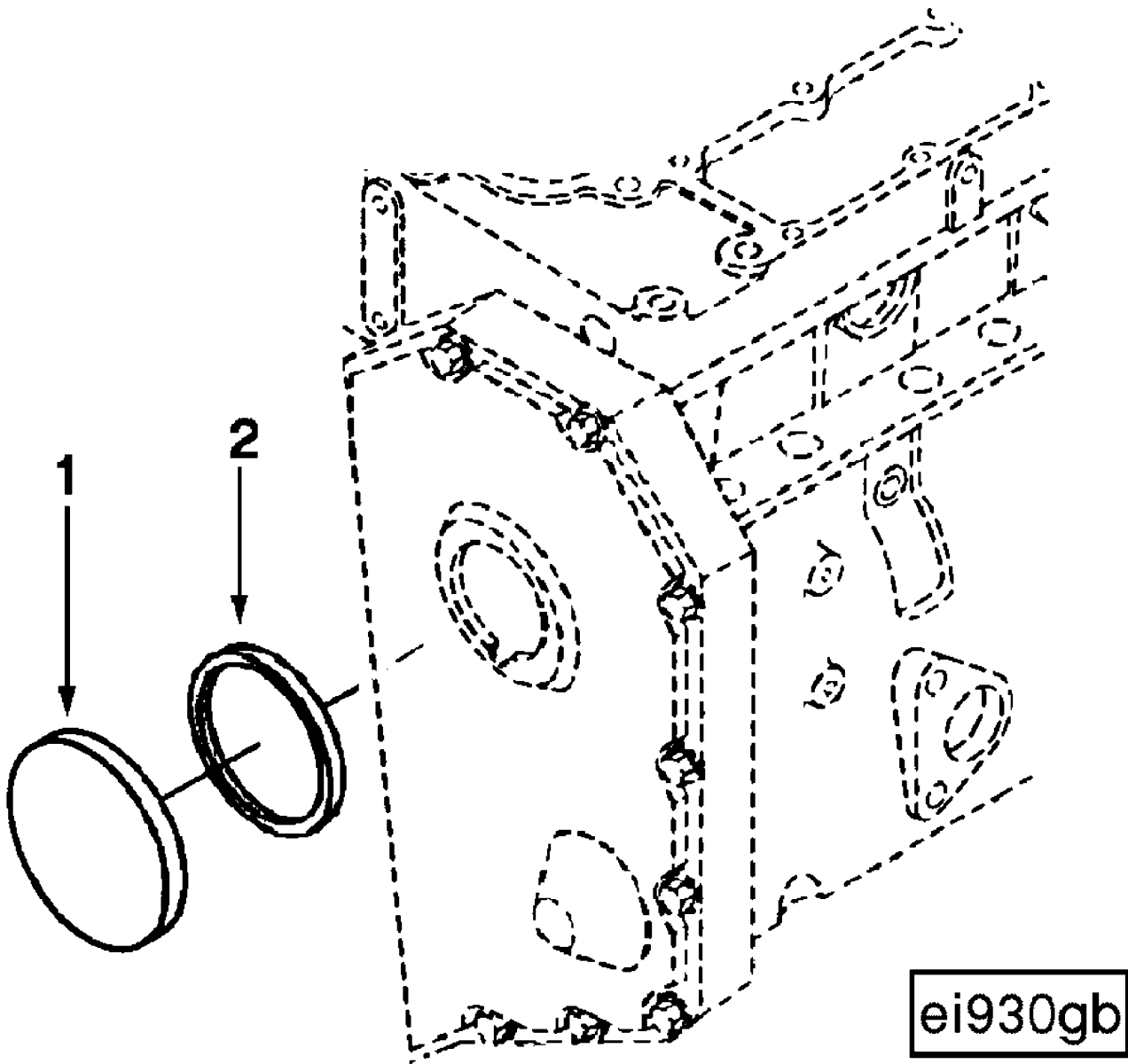
REF NO	PART NUMBER	PART NAME	REQ	REMARKS
	EG9115	Engine Instrument Panel	1	Engine instrument panel for 6 CTA8.3 f1. Panel mounts on fuel pump side. Panel includes tachometer/hr meter, oil pressure, coolant temperature, amp meter and speed switch. All mounting hardware included. Wiring diagram number 3925624. Instruments are 12 Volt.
1	3035083	Isolator, Vibration	4	
2	3035084	Isolator, Vibration	4	
3	3175239	Nut, Lock	4	
	3919585	Panel, Eng Instrumentation	1	
4	S-118-A	Screw, Hexagon Head Cap	4	1/4 - 20 X 5/8 Inch
5	S-224	Nut, Heavy Hexagon	4	1/4 - 20 UNC
6	S-257	Nut, Regular Hexagon	6	#10 - 32 UNF
7	127007	Screw, Pan Head Cap	6	#8 - 32 X 5/8 Inch
8	3030871	Gauge, Pressure	1	
9	3030872	Gauge, Temperature	1	
10	3031643	Rectifier	1	
11	3039569	Switch, Push Button	1	
12	3039570	Ammeter	1	
13	3920870	Diode	1	
14	3049554	Hourmeter & Tachometer	1	
15	3050323	Speed Switch, Electronic	1	
16	(3919461)	Block, Terminal	1	
17	3919462	Harness, Wiring	1	
18	3919465	Cabinet, Instrument	1	
19	(3919467)	Decal	1	
20	3919578	Panel, Instrument	1	
21	3919748	Dataplate	1	
22	3033800	Washer, Plain	4	3/8 Inch



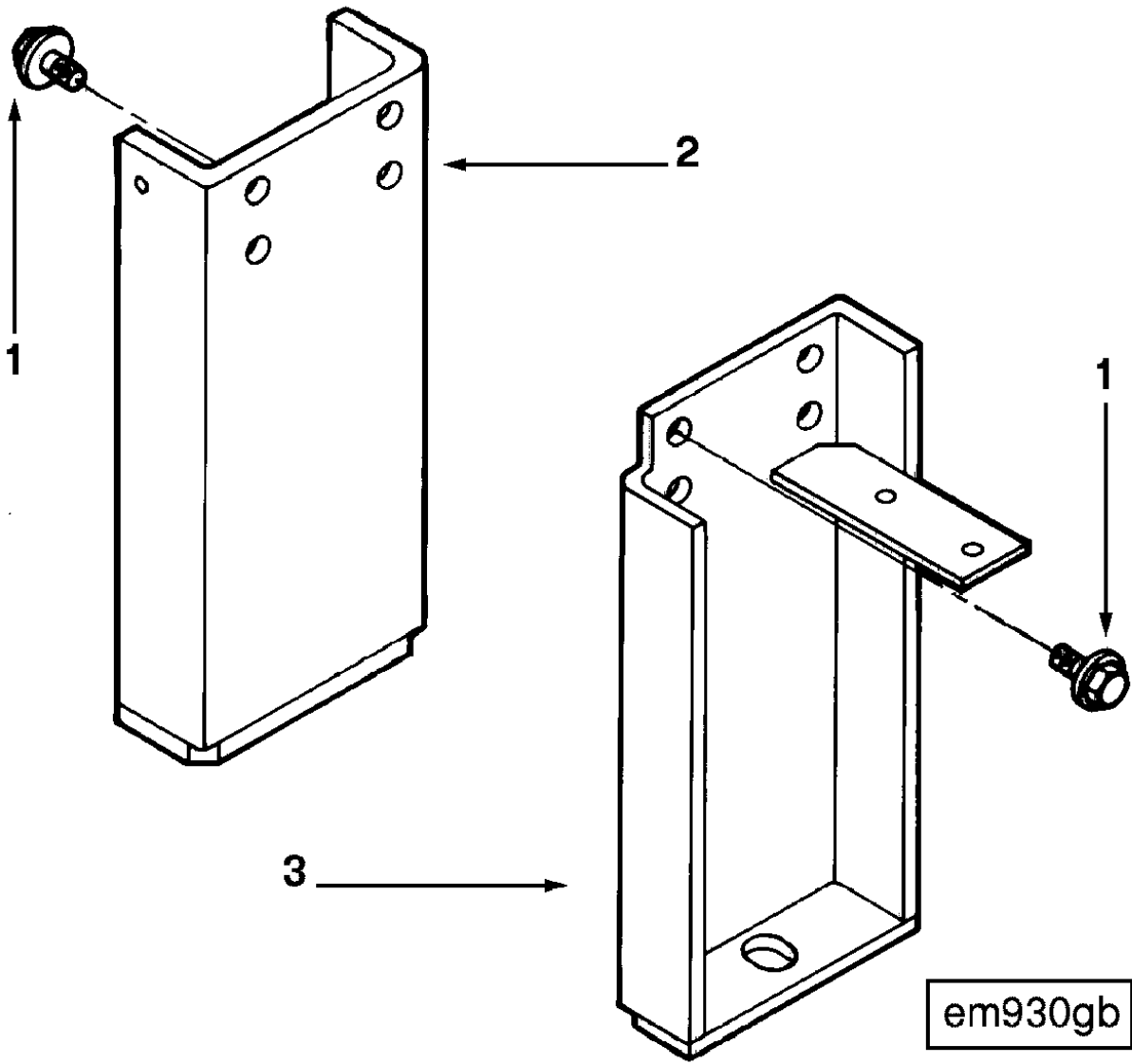
REF NO	PART NUMBER	PART NAME	REQ	REMARKS
	EH9198	Alternator Location	1	Alternator and drive provision for Delco 20 SI up to 14V/60A or 28V/45A, Delco 21 SI up to 14V/160A and Bosch N1 up to 14V/120 or 28V/80A. For C series engines with no fan option. Alternator driven at 2.9 times engine speed. DEP may substitute 3920560 for DEP may substitute 3920447 capscrew in place of 3910540.
1	3052061	Screw, Hexagon Head Cap	1	1/2 - 13 x 1 Inch
2	3900631	Screw, Hex Flange Head Cap	4	M8 x 1.25 x 25
3	3918275	Pulley, Alternator	1	
4	3929317	Brace, Alternator	1	
5	3920447	Screw, Hex Flange Head Cap	2	M12 x 1.75 x 40 Supplier
6	3929418	Support, Alternator	1	



REF NO	PART NUMBER	PART NAME	REQ	REMARKS
	EH97134	Alternator Mounting	1	Dependent option that includes the longer Length screw for use when both the EH options and the SG9031 option are used.
1	3900632	Screw, Hex Flange Head Cap	1	M8 x 1.25 x 35

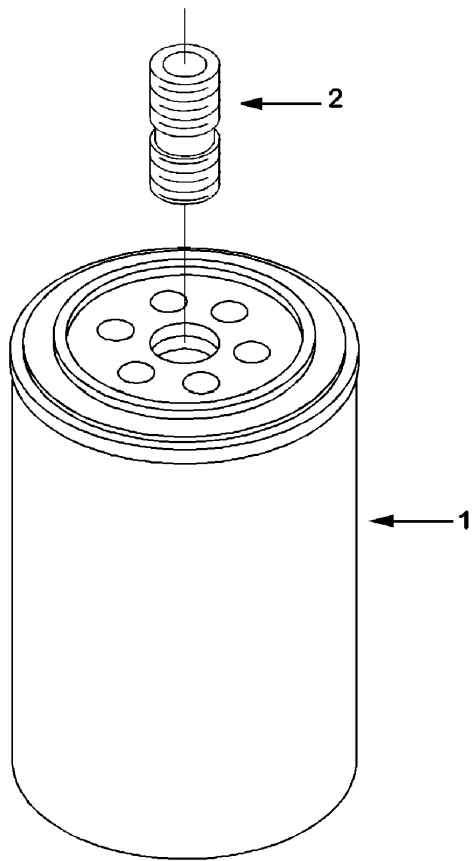


REF NO	PART NUMBER	PART NAME	REQ	REMARKS
	EI9701	Mechanical Tachometer Driv	1	Mechanical Tachometer Drive Cover Mechanical Tach Drive Provision: No Structure Code: 02 EBM Oil Fill Location: Fuel Pump Side Exhaust Side Valve Cover None Engine Family: C Series B Series
1	3903463	Cover, Access Hole	1	
2	3903475	Seal, Rectangular Ring	1	



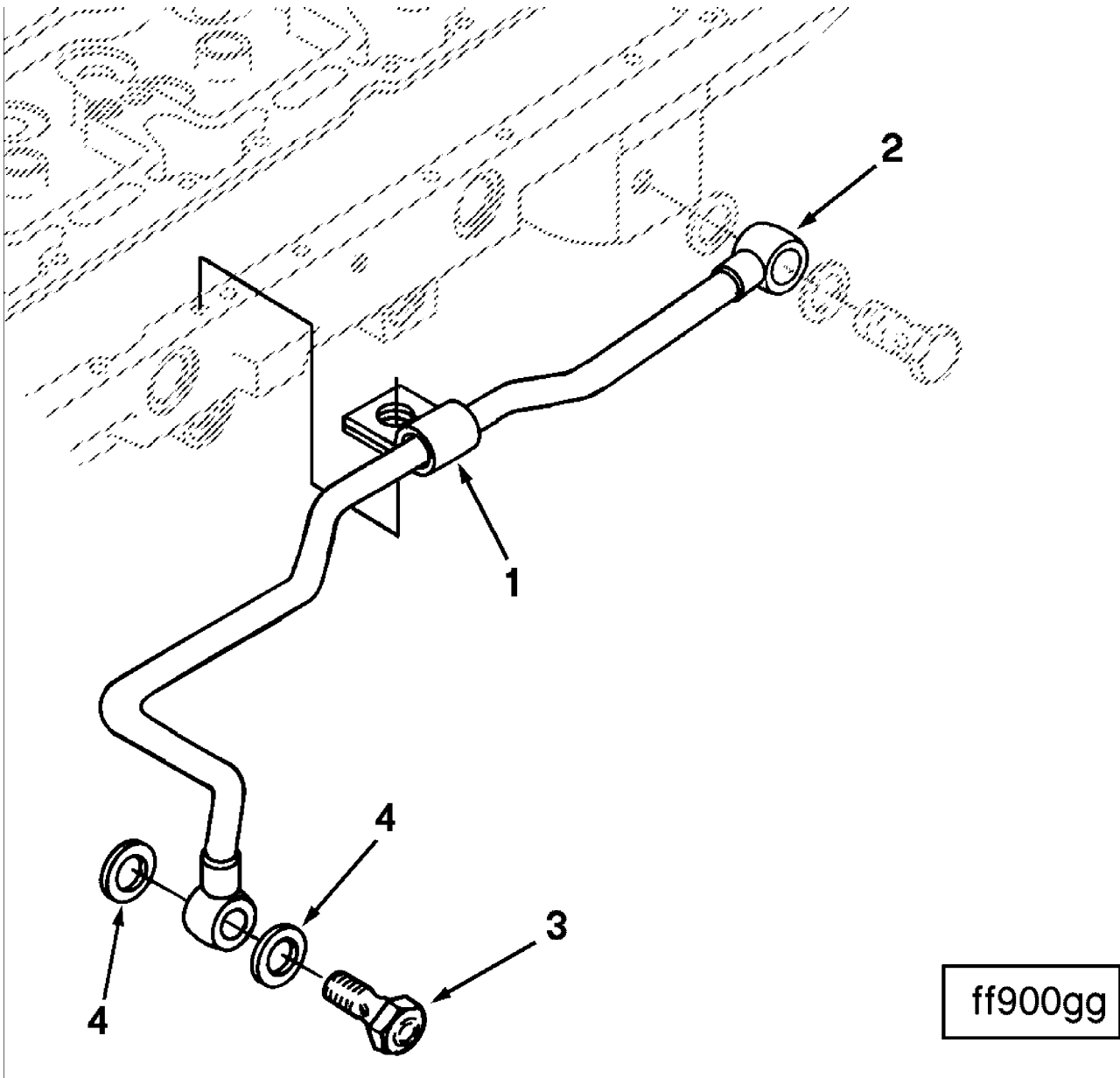
REF NO	PART NUMBER	PART NAME	REQ	REMARKS
	EM9076	Front Engine Support	1	Front engine support for 6CTA8.3F. Includes 2 point leg type mount and all mounting hardware.
1	3901249	Screw, Hex Flange Head Cap	6	M12 x 1.75 x 25
2	3897942	Support, Front Engine	1	
3	3919720	Support, Front Engine	1	

REF NO	PART NUMBER	PART NAME	REQ	REMARKS
	FA9000	NC Fan Drive	1	Fan Drive Component Supplier: Customer Engine Family: B Series C Series No content option. Used as a pointer to select the proper belt arrangement to drive the alternator and water pump when the fan is Remote mounted or a crankshaft mounted fan.

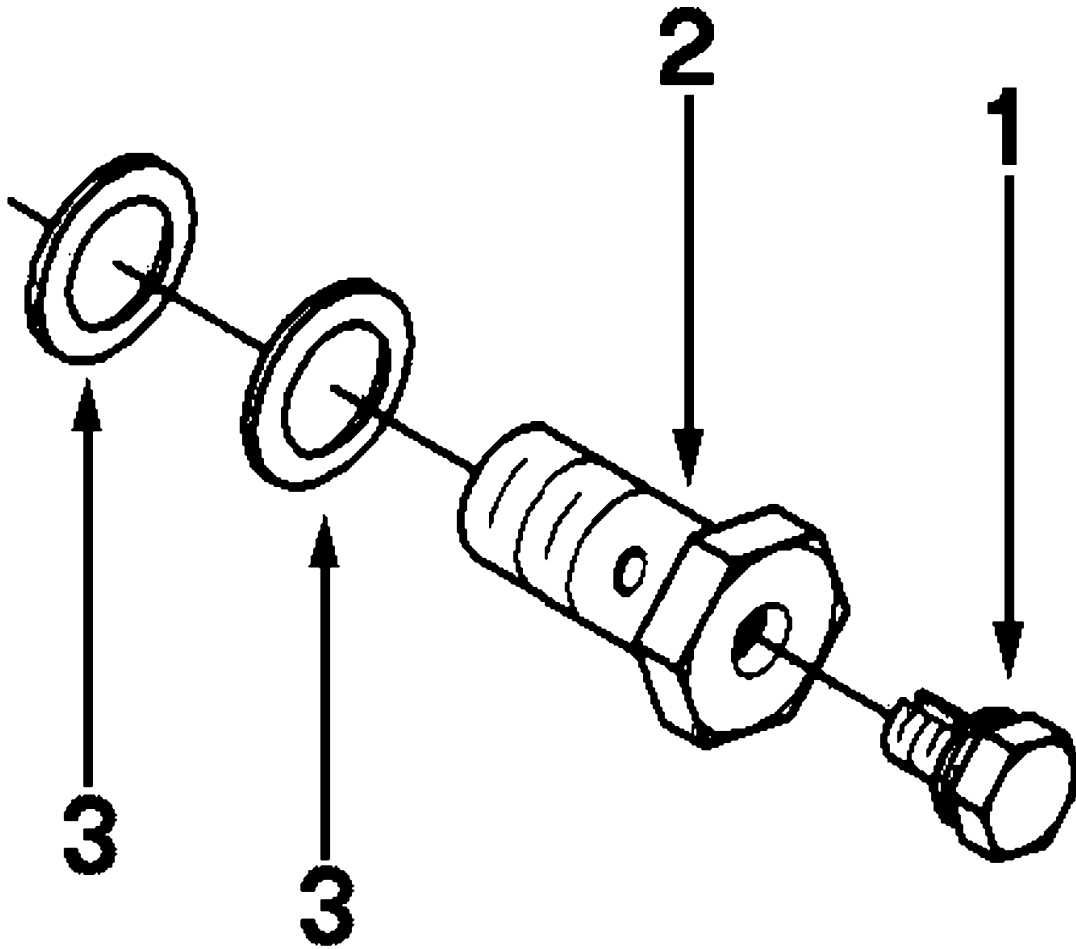


ff941gb

REF NO	PART NUMBER	PART NAME	REQ	REMARKS
	FF9011	Fuel Filter	1	Fuel Filter Element Type: Single Water Separator Provision: Yes Element Style: Spin on Installation Responsibility: Cummins Filter Location: Under Head Cylinder #5 Absolute Filtration (microns): 25 Compatible with Lift Pump: Yes Air Heater Connection Provided: No Filter Inlet Diameter: 1/2 Inch Engine Family: C Series Engine Cylinders: 6
1	3931062	Separator, Fuel Water	1	
2	3925954	Adapter, Filter Head	1	

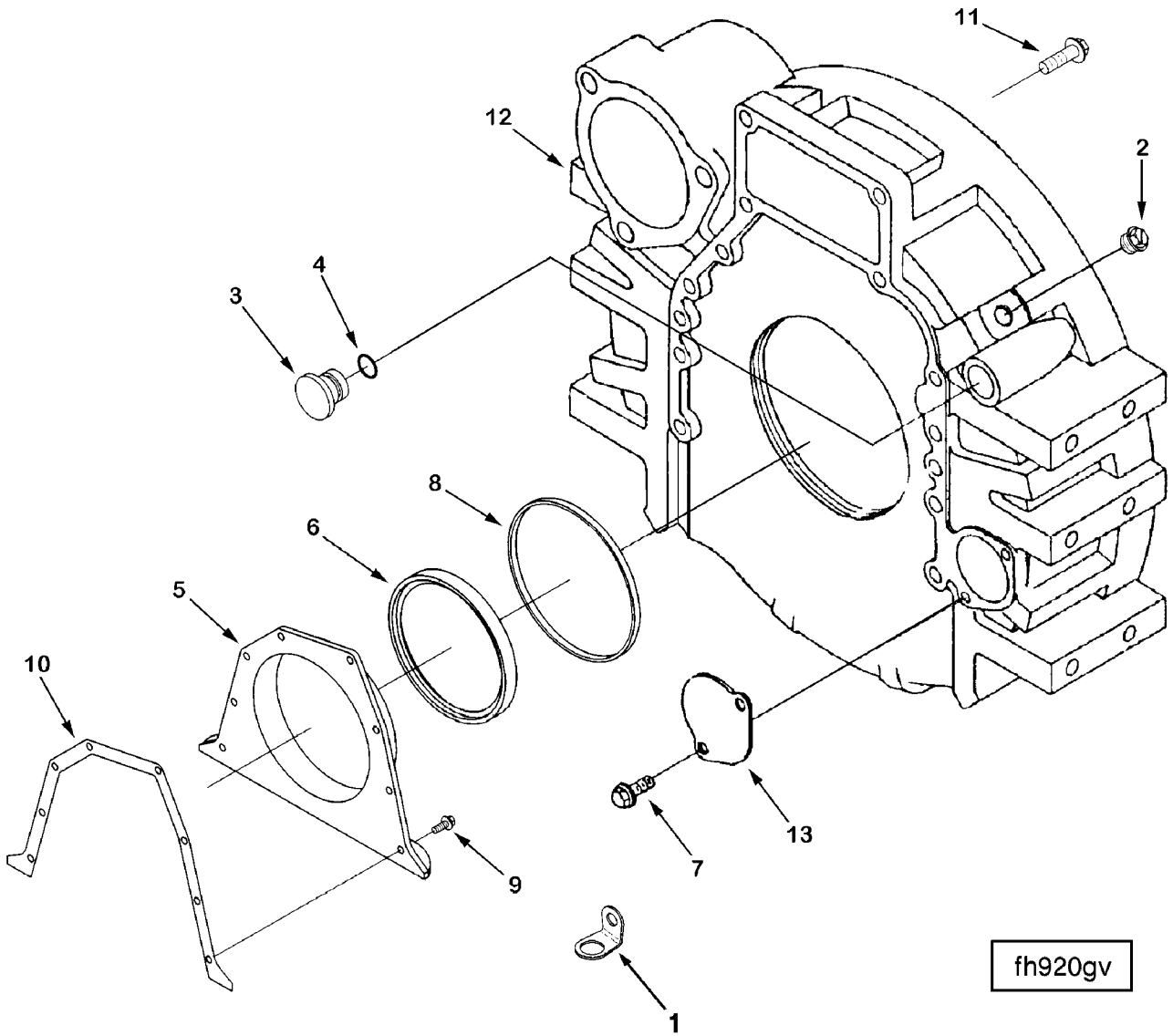


REF NO	PART NUMBER	PART NAME	REQ	REMARKS
	FF9714	Fuel Inlet Tube	1	Fuel Filter Plumbing Family: C Series Pump Mfg/Model: To Be Determined Intake Cover Flange Thickness (mm): 11 Tube Material: Steel Boost Control Provision: Without Mounting Location: Fuel Pump side Structure Code: 02 EBM Cylinders: 6 3282059 may be used in place of 3914711 at DEP.
1	3914711	Clip	1	
2	3925905	Tube, Fuel Supply	1	
3	3924725	Screw, Banjo Connector	1	M14 x 1.50 x 26
4	3918192	Washer, Sealing	2	14MM

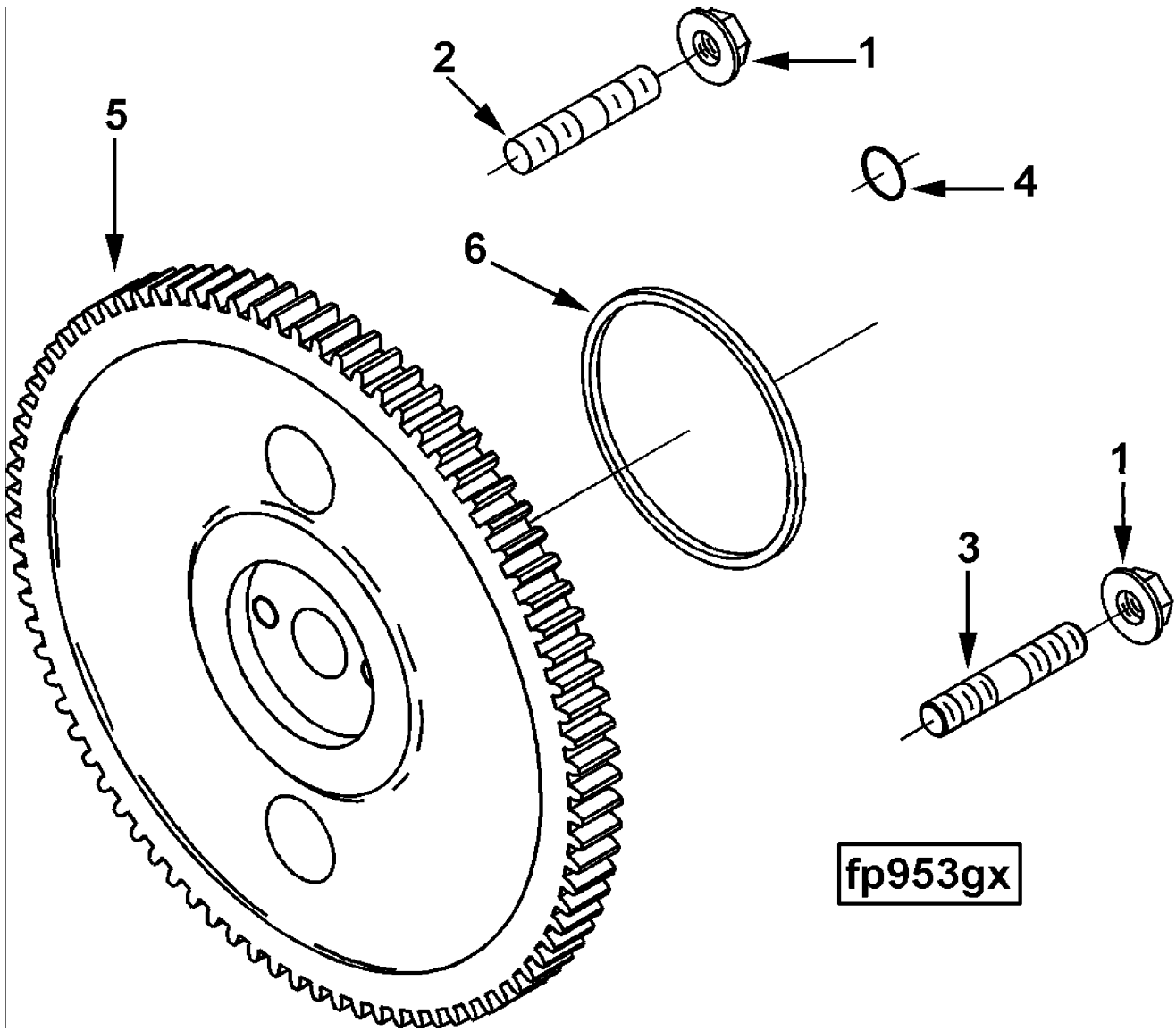


ff940gf

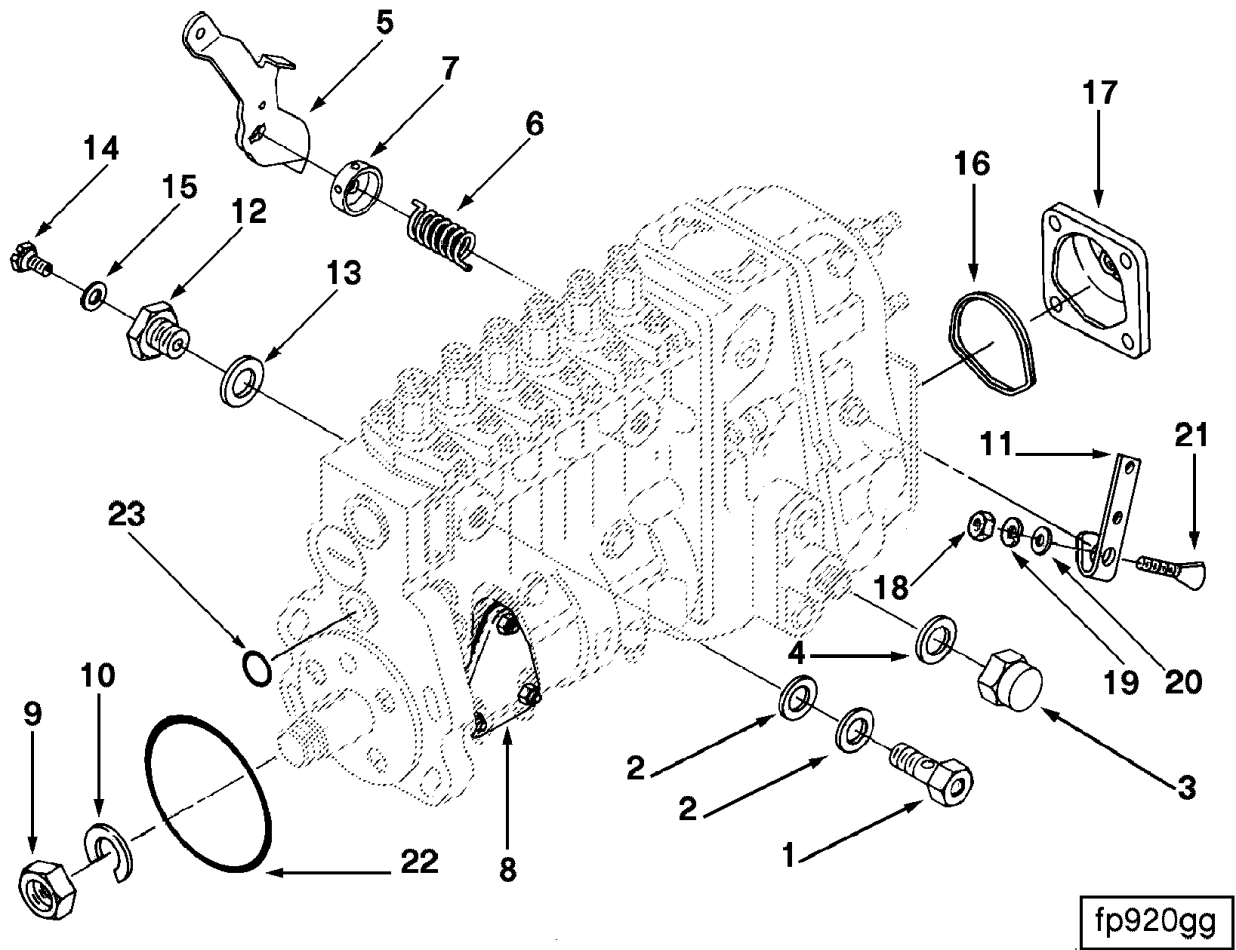
REF NO	PART NUMBER	PART NAME	REQ	REMARKS
	FF9773	Fuel Filter	1	Contains banjo connector screw and captive washer capscrew to connect the fuel supply tube at the cylinder head. For use when an air intake heater is not required.
	3905860	Screw, Banjo Connector	1	
1	(3905403)	Screw, Captive Washer Cap	1	M6 x 1.00 x 10
2	(3911446)	Screw, Banjo Connector	1	
3	3918191	Washer, Sealing	2	



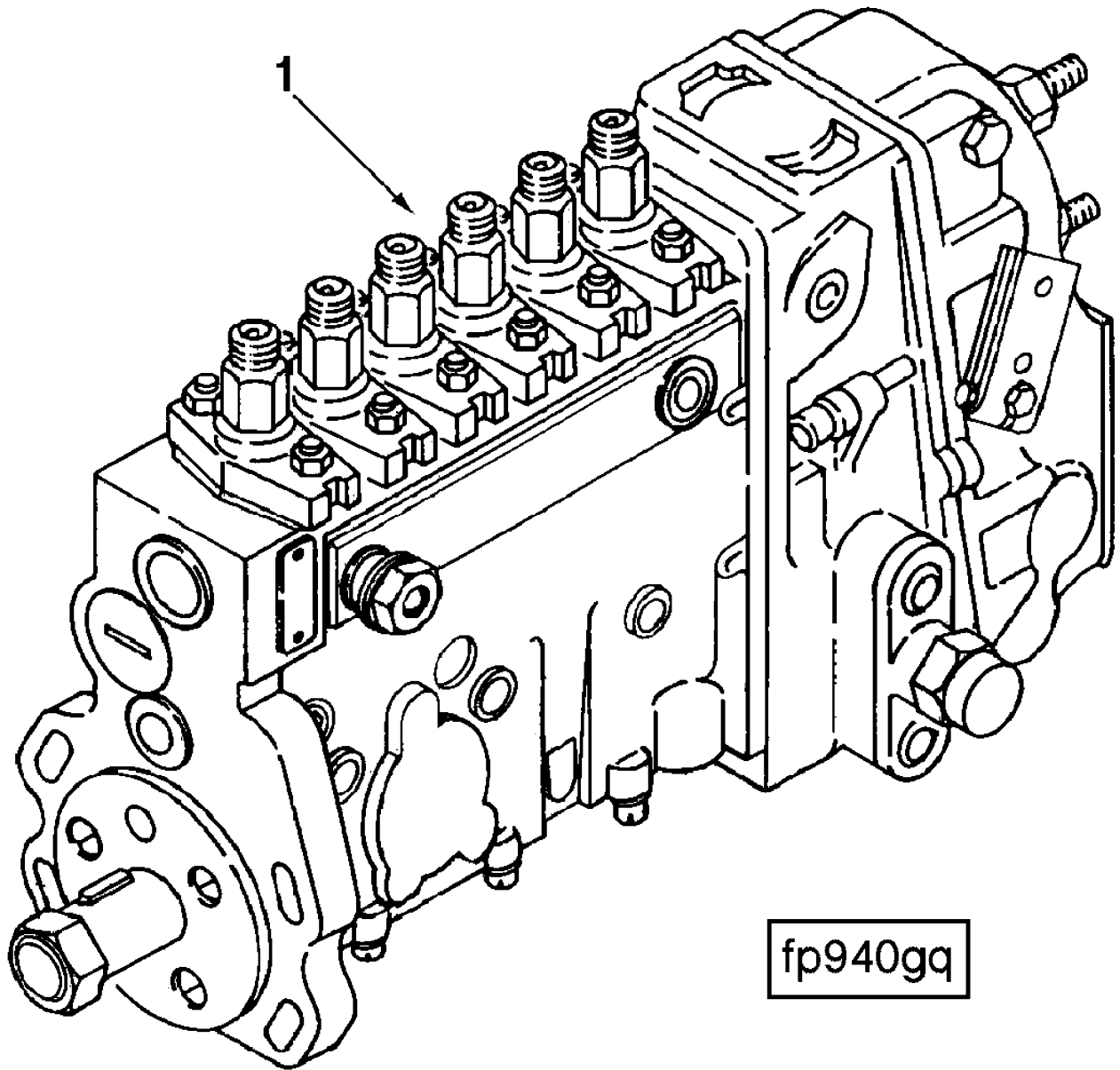
REF NO	PART NUMBER	PART NAME	REQ	REMARKS
	FH9037	Flywheel Housing	1	Flywheel Housing Clutch Type: Dry Material: Aluminum SAE Size or Type: SAE 1 Starter Mount SAE: SAE #3 - 3 bolt 120 degree ST Quadrant: 1ST Starter Pad +/-CR C/L Axis (MM): 178.95 Starter Pad +/-CR C/L Axis (MM): 205.55 Starter Pad Offset from RFOB (MM): 0.00 Starter Mounting Hole Diameter (MM): 92.05 Engine Mount Type: Pad Engine Mounting Hole Dimension: M16x2.0 -6H # Mount Holes: 12 Engine Mount Top Hole +/-CR C/L (MM): 104.78 TACH Sensor Location: 4th TACH SIZE: 3/4 - 16 UNF TACH COUNT: 1 Trans MT Holes Count/Thread: 12 - 7/16 x 14 UNC-2B Starter Bore Angle (Deg): 49 Engine Family: C Series
1	3928989	Clip	1	
2	3904181	Plug, Threaded	1	3/4 - 16 UNF
3	3910248	Plug, O Ring	1	
4	3910260	Seal, O Ring	1	
5	3921042	Cover, Rear	1	
6	(3925529)	Seal, Oil	1	
7	3912072	Screw, Self Tapping Metal	2	M8 x 1.25 x 15
8	3912473	Seal, Rectangular Ring	1	
9	3913638	Screw, Hex Flange Head Cap	8	M6 x 1.00 x 16
10	3914301	Gasket, Rear Cover	1	
11	3920447	Screw, Hex Flange Head Cap	12	M12 x 1.75 x 40 Supplier
12	3906766	Housing, Flywheel	1	
13	3925234	Plate, Cover	1	



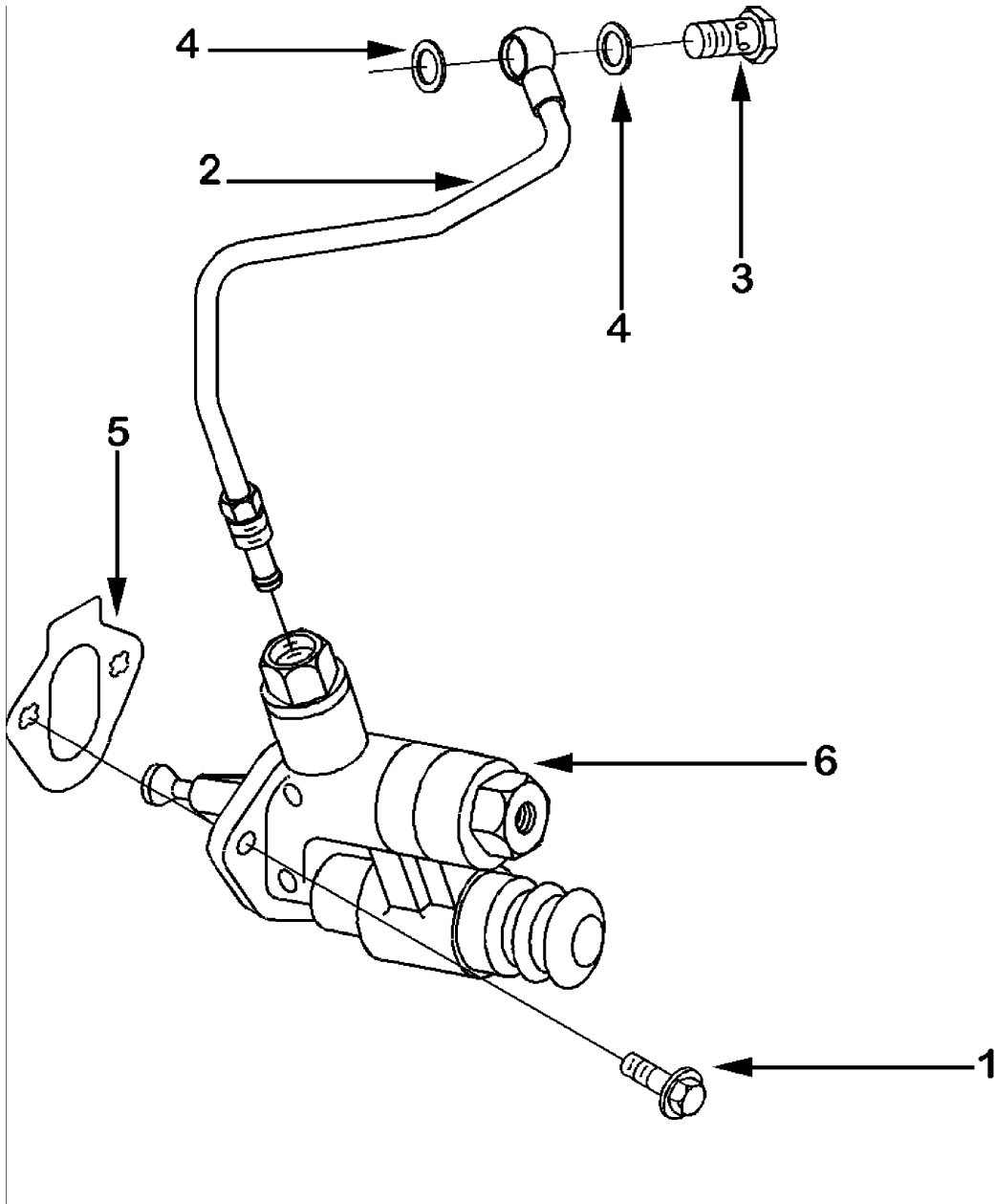
REF NO	PART NUMBER	PART NAME	REQ	REMARKS
	FP9885	Fuel Pump Coupling	1	Fuel Pump Coupling Engine Family: C Series Fuel Pump Mfg/Model: Bosch MW Aspiration: Turbocharged Jacket Water Aftercooled Charge Air Cooled Fuel pump gear less keyway. For engines with locktime pumps. The (2) 3907978 studs (short) are to be used in the in-board mounting holes. DEP may substitute 3282371 in place of 3907978 and 3282372 in place of 3915036.
1	3902662	Nut, Hexagon Flange	4	M10 x 1.50
2	3907978	Stud	2	M10 x 1.50(Both Ends) x 50
3	3915036	Stud	2	M10 x 1.50(Both Ends) x 55
4	3916284	Seal, O Ring	1	
5	3931379	Gear, Fuel Pump	1	
6	3934575	Seal, Rectangular Ring	1	



REF NO	PART NUMBER	PART NAME	REQ	REMARKS
	FP97434	Bosch "mw" Fuel Injection	1	Fuel Pump Engine Family: C Series Engine Cylinders: 6 Advertised HP: 300 @ 2100 Governed HP: 350 @ 2175 Torque Peak (lb-ft): 750 @ 2100 Fuel Pump Type: Inline Pump Manufacturer/Model: Bosch MW High Idle: 2260 Governor Type: RSV High Pressure Tube ID (mm): 2.0 Shutdown Device: Manual Compatible Fuel Rating - FR: 9626 CPL: 1366 Certified by: FM UL UL of Canada Certification Status: Approved Peak Power: 261 Governor Break RPM: 2175 Governor Regulation (%): 3.9 Actual fueling will represent 350 @ 2100 For 6CTA 8.3 F-1.
1	(3912886)	Valve, Overflow	1	
2	3912887	Washer, Sealing	2	
3	3912888	Plug, Timing	1	
4	3912889	Washer, Sealing	1	
5	3910979	Lever, Shutoff Valve	1	
6	3912890	Spring, Shutoff	1	
7	3912891	Housing, Return Spring	1	
8	3912892	Gasket, Feed Pump Cover	1	
9	3912894	Nut, Gear Retaining	1	
10	3912895	Washer, Lock	1	
11	3913327	Lever, Control	1	
12	3913320	Screw, Vent	1	
13	3913321	Washer, Sealing	1	
14	3913322	Screw, Vent	1	
15	3913323	Washer, Sealing	1	
16	3919286	Seal, Rectangular Ring	1	
17	3915169	Cover, Fuel Pump	1	
18	3020930	Nut, Hexagon	1	
19	3907478	Lockwasher	1	
20	3920931	Washer, Flat	1	
21	3920929	Bolt, Throttle Shaft	1	
22	3910503	Seal, O Ring	1	
23	3916284	Seal, O Ring	1	

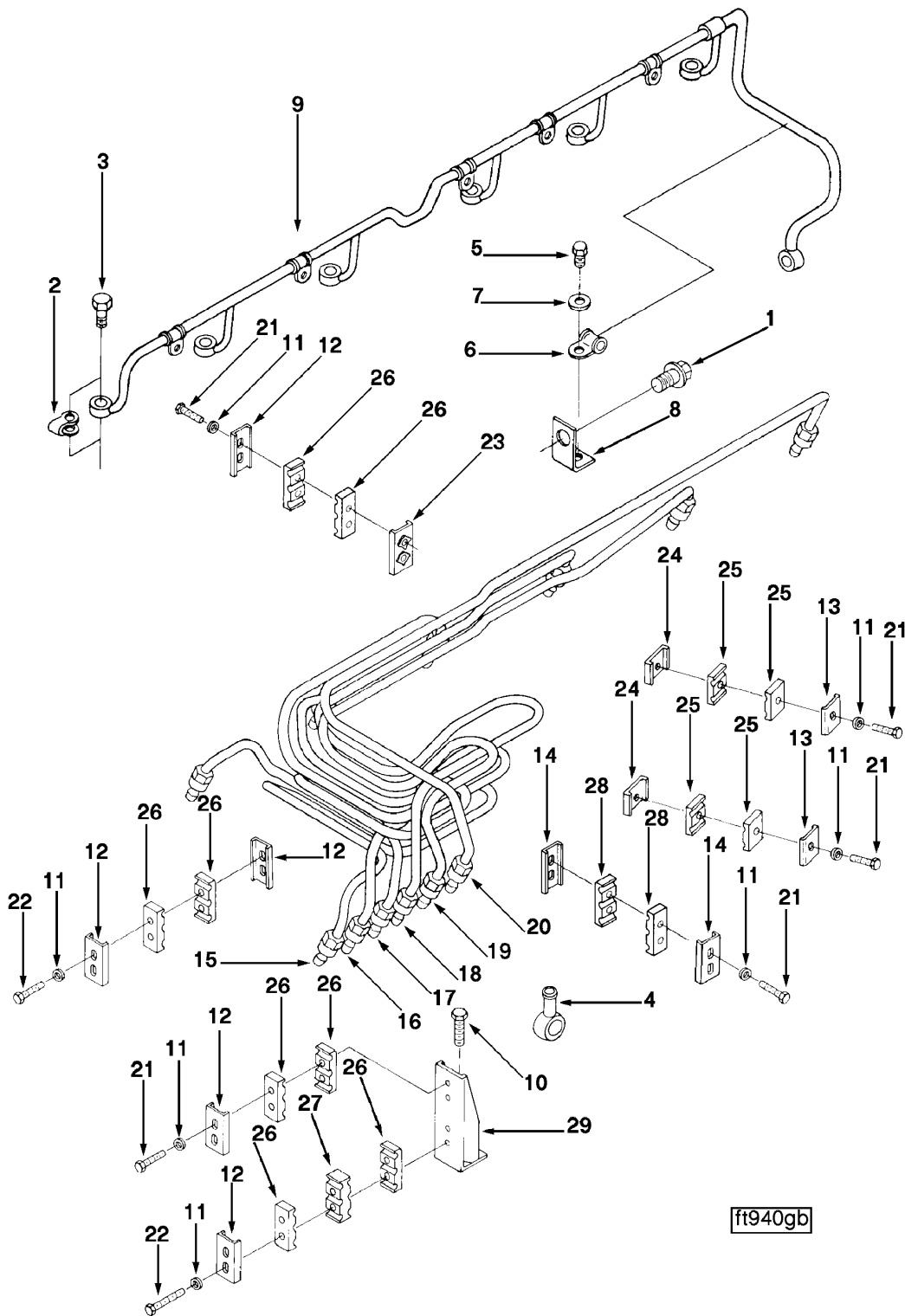


REF NO	PART NUMBER	PART NAME	REQ	REMARKS
	FP97434	Fuel Pump	1	Fuel Pump Engine Family: C Series Engine Cylinders: 6 Advertised HP: 300 @ 2100 Governed HP: 350 @ 2175 Torque Peak (lb-ft): 750 @ 2100 Fuel Pump Type: Inline Pump Manufacturer/Model: Bosch MW High Idle: 2260 Governor Type: RSV High Pressure Tube ID (mm): 2.0 Shutdown Device: Manual Compatible Fuel Rating - FR: 9626 CPL: 1366 Certified by: FM UL UL of Canada Certification Status: Approved Peak Power: 261 Governor Break RPM: 2175 Governor Regulation (%): 3.9 Actual fueling will represent 350 @ 2100 For 6CTA 8.3 F-1.
1	3921169	Pump, Fuel Injection	1	

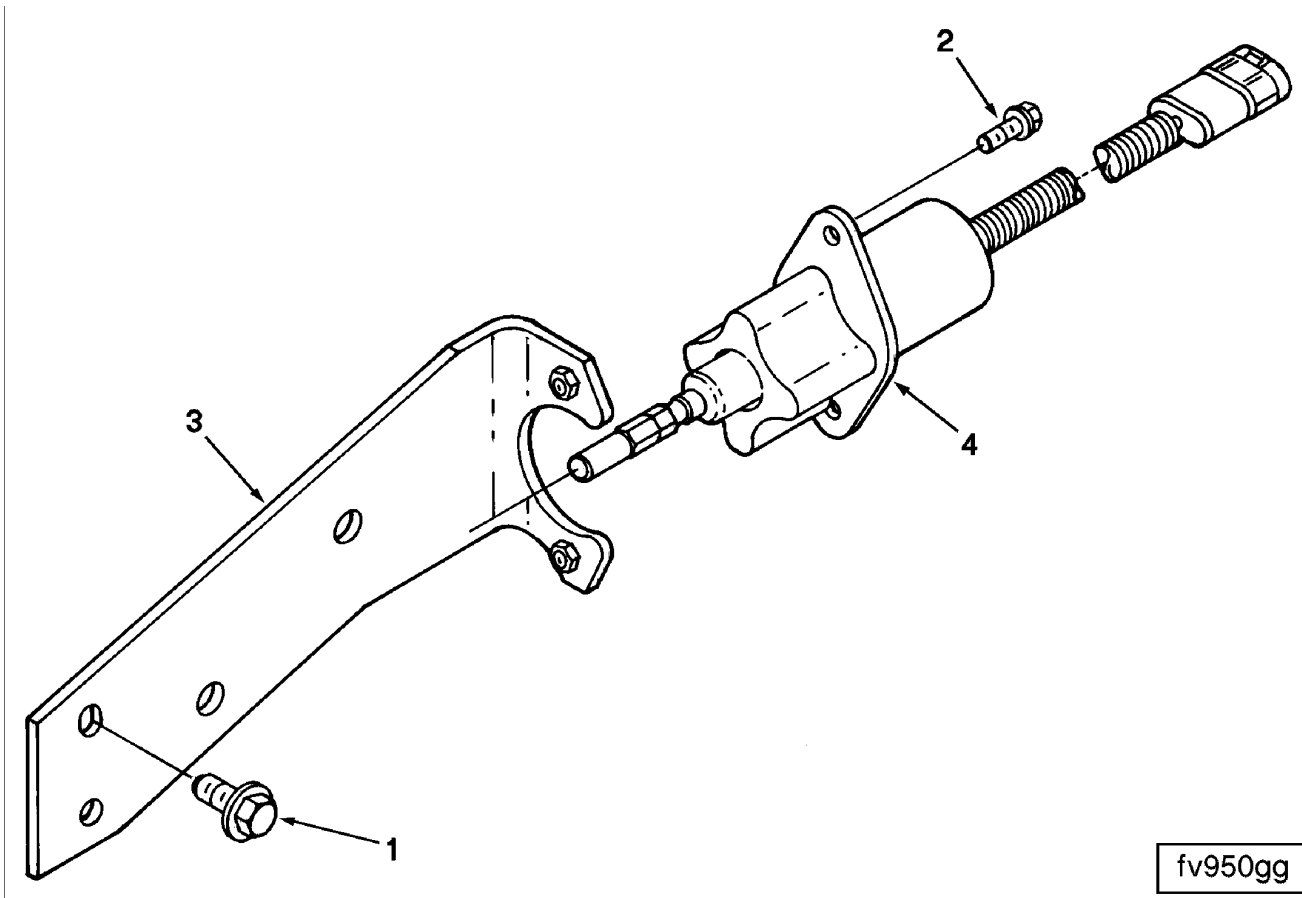


fs941gb

REF NO	PART NUMBER	PART NAME	REQ	REMARKS
	FS9006	Fuel System Accessories	1	Lift Pump Pump Style: Piston Pump Operation: Mechanical Pump Supplier: Cummins Pump Stand Measured Flow (LPH): 117.0 - 229.9 Pump Measured Flow (Pump RPM): 1250 Fuel Inlet Size: 1/4-18 NPTF Filter Location: Under head cylinder #5 Cylinders: 6 Engine Family: C Series
1	3900630	Screw, Hex Flange Head Cap	2	M8 x 1.25 x 20
2	3906790	Tube, Fuel Supply	1	
3	3916361	Screw, Banjo Connector	1	M12 x 1.50 x 24
4	3918191	Washer, Sealing	2	12mm
5	3931348	Gasket, Cover Plate	1	
6	3933254	Pump, Fuel Transfer	1	
		SERVICE PARTS		
	3926764	Kit, Lift Pump Service	1	Includes check valve, gaskets and o ring seals.

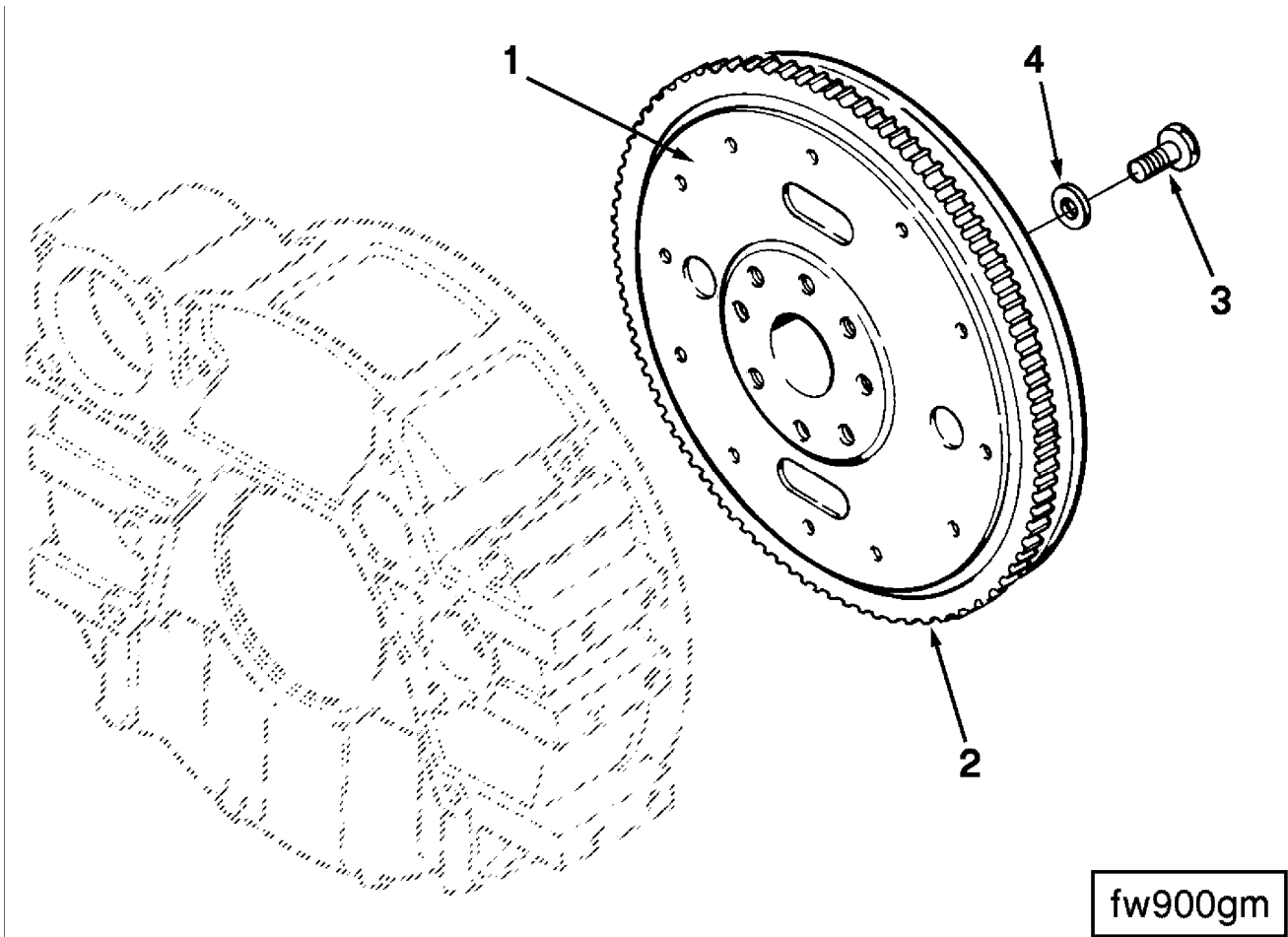


REF NO	PART NUMBER	PART NAME	REQ	REMARKS
	FT9842	Fuel Plumbing	1	Fuel Plumbing Engine Family: C Series Engine Cylinders: 6 High Pressure Tube ID.: 2.0 Fuel Pump Governor: RQV Connection Type: 1/4-18 NPT Unique Characteristics: Steel fuel drain manifold. Intake Cover Flange Thickness: 11mm Restricted Aspiration: Turbocharged Fuel Pump Manufacturer/Model: Bosch MW The 3911447 banjo connection is to be installed on the outboard side of the pump.
	3282141	Screw, Banjo Connector	6	M6 x 1.00 x 16.3
	3901249	Screw, Hex Flange Head Cap	1	M12 x 1.75 x 25
	3903380	Seal, Banjo Connector	6	6MM
	(3918139)	Tube, Injector Fuel Supply	1	
	3903723	Washer, Plain	11	
	3904519	Brace, Tube	3	
	3904711	Brace, Tube	1	
	3910686	Brace, Tube	1	
	3910749	Tube, Injector Fuel Supply	1	No. 1 cylinder
	3910750	Tube, Injector Fuel Supply	1	No. 2 cylinder
	3910751	Tube, Injector Fuel Supply	1	No. 3 cylinder
	3910752	Tube, Injector Fuel Supply	1	No. 4 cylinder
	3910753	Tube, Injector Fuel Supply	1	No. 5 cylinder
	3910754	Tube, Injector Fuel Supply	1	No. 6 cylinder
	(3917712)	Screw, Hexagon Head Cap	9	M5 x 0.80 x 22
	(3917713)	Screw, Hexagon Head Cap	2	M5 x 0.80 x 35
	3917716	Brace, Tube	1	
	3917717	Brace, Tube	1	
	3917740	Brace, Tube	1	
	3917746	Isolator, Vibration	2	
	3917747	Isolator, Vibration	6	
	3917748	Isolator, Vibration	1	
	3917749	Isolator, Vibration	2	
	3917776	Brace, Tube	1	
	3918188	Washer, Sealing	2	8MM
	3922117	Manifold, Fuel	1	
	3910768	Screw, Hexagon Head Cap	1	M4 X 0.70 X 8.
	3910931	Clip	1	
	3914054	Washer, Plain	1	M4.
	(3915884)	Brace, Tube	1	
	(3922116)	Manifold, Fuel	1	
	3924726	Valve, Check	1	M8 x 1.25 x 17.5
	167157	Ball, Check	1	
	3916895	Pin, Roll	1	
	3924723	Screw, Banjo Connector	1	

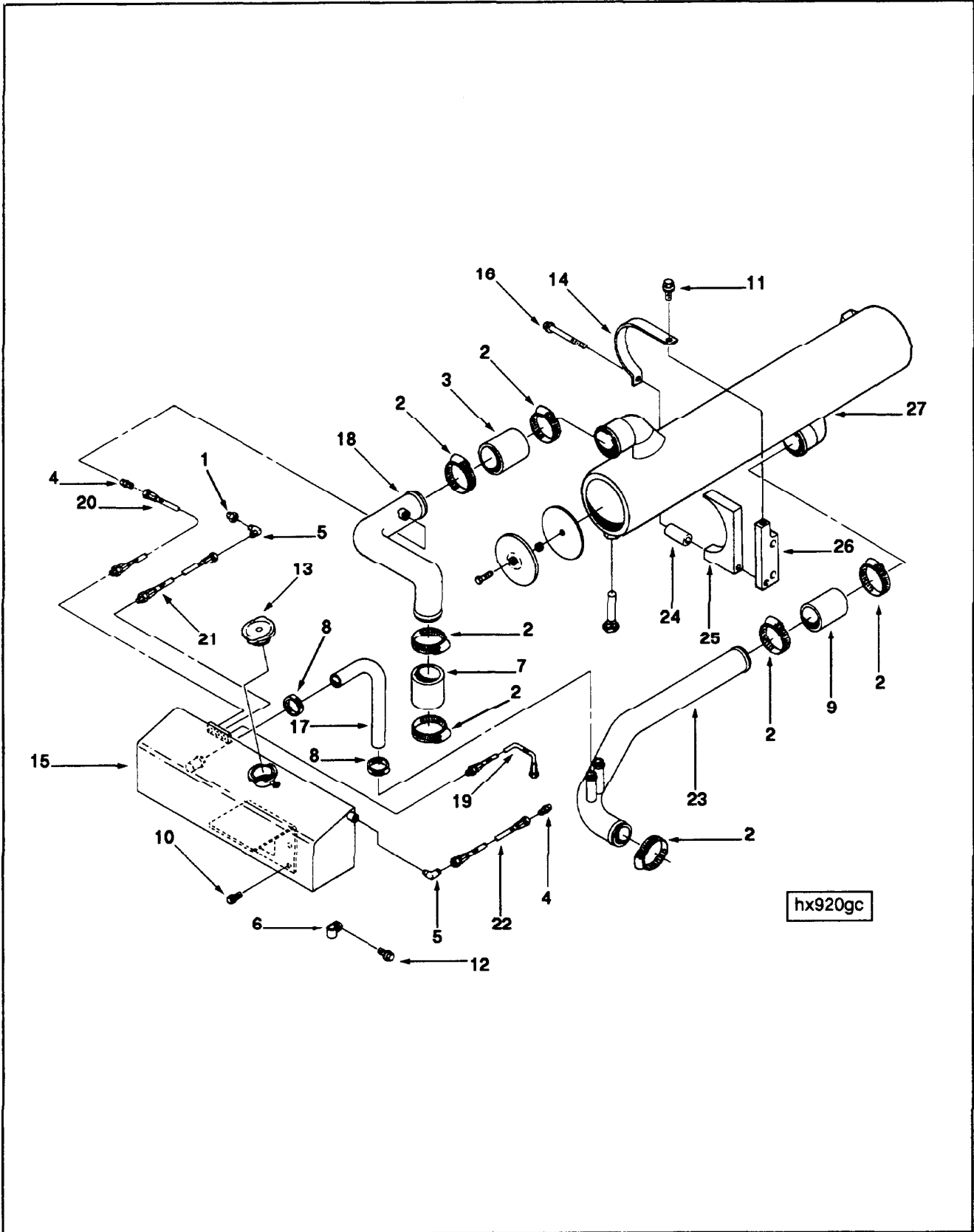


fv950gg

REF NO	PART NUMBER	PART NAME	REQ	REMARKS
	FV9088	Fuel Shutoff Valve	1	FUEL SHUTOFF VALVE Valve Activation: Electrical Voltage: 12 Valve Manufacturer: Synco-Start Shutoff Valve Supplier: Cummins Unique Characteristics: Direct lin fuel pump. Fuel Pump Manufactuer/Model: Bosch MW Pump Governor Type: RSV Engine Family: C Series Solenoid to be oreinted with wiring pigtail a 6 o'clock position when mounted on engine.
1	3903990	Screw, Hex Flange Head Cap	2	M10 x 1.50 x 20
2	3913638	Screw, Hex Flange Head Cap	2	M6 x 1.00 x 16
3	3923255	Bracket, Solenoid	1	
4	3928160	Solenoid, Fuel Pump	1	



REF NO	PART NUMBER	PART NAME	REQ	REMARKS
	FW9061	Flywheel	1	Flywheel Type: Flywheel Housing SAE Size Or Type: SAE 1 Material Specification: 41, 044 Ring Gear Pitch: 8/10 Ring Gear Pitch Diameter: 501.65mm (19.75in) Ring Gear Tooth Count: 158 Crank Flange To Ring Gear Leading Edge (mm): 15.80 Maximum RPM: 3270 Pilot Bearing Bore Dia. (mm): 80.000 Clutch Mounting Bolt Circle (mm): 438.15 Clutch Mounting Hole Count: 8 Clutch Mounting Hole Nomenclature: To Be Determined Moment of Inertia (Kg/m2): 1.75 Structure Code: 02 EBM Required Starter Center Distance (mm): 271.00 Applicable Engine Families: C Series Requires viscous damper for applications where rated speed or governed speed is 2201 RPM or greater.
	3909908	Flywheel	1	
1	(3907309)	Flywheel	1	
2	3907308	Gear, Flywheel Ring	1	
3	3908181	Screw, Hexagon Head Cap	8	M12 x 1.25 x 50
4	3900269	Washer, Plain	8	M12

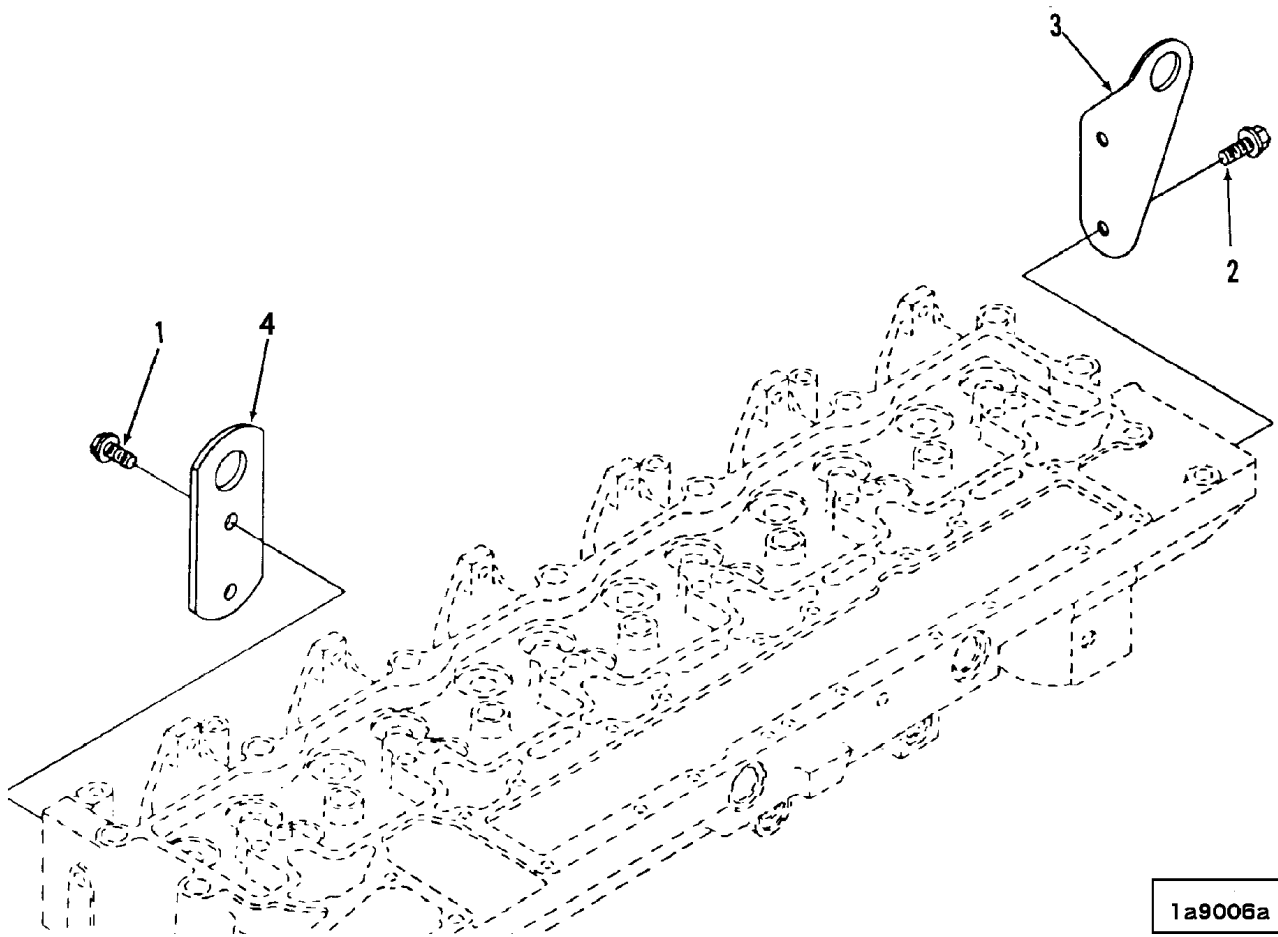


Group No. 08.10

Heat Exchanger

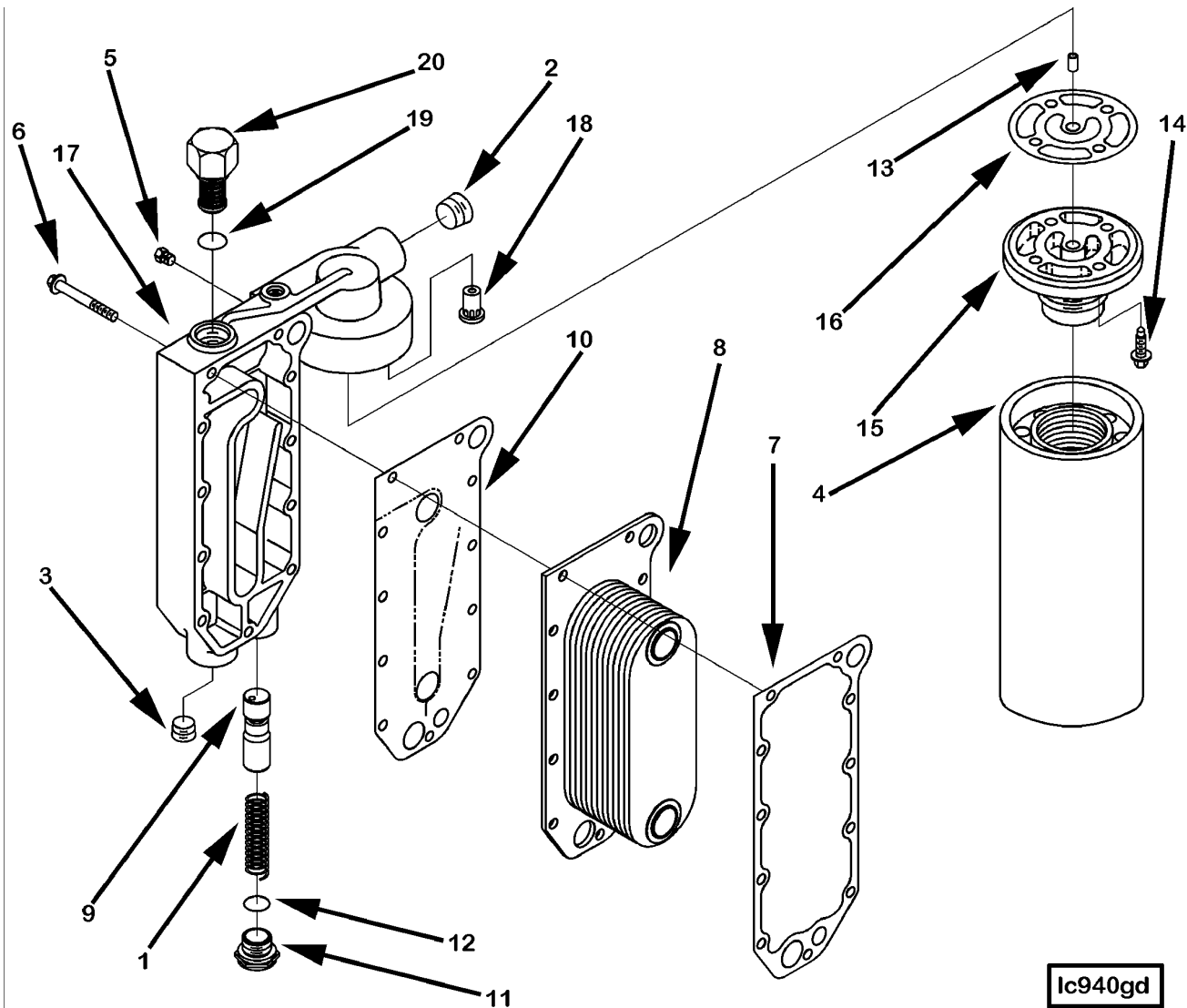
Option No. HX9024

Ref No.	Part Number	Part Name	Req	Remarks
		HEAT EXCHANGER OPTION HX9024		Heat exchanger and expansion tank for use on 6CTA8.3F. Heat exchanger is shell and tube type with expansion tank mounted on front of engine. All mounting and plumbing hardware included.
1	S 931 C	Bushing, Reducing Pipe	1	
2	43828 C	Clamp, Hose	3	1 9/16 - 2 1/2 inch
3	43828 D	Clamp, Hose	4	2 1/16 - 3 inch
4	67185	Hose, Plain	1	
5	68138	Connector, Male	2	
6	68139	Elbow, Male Adapter	2	
7	108722	Clip	1	
8	110980	Hose, Plain	1	
9	210753	Clamp, Hose	2	9/16 - 1 1/4 inch
10	63241 N	Hose, Plain	1	
11	3900630	Screw, Hex Flange Head Cap	4	M8 x 1.25 x 20
12	3903990	Screw, Hex Flange Head Cap	4	M10 x 1.50 x 20
13	3907022	Cap, Filler	1	
14	3912150	Clamp, Retaining	2	
15	3912174	Tank, Expansion	1	
16	3913034	Screw, Hex Flange Head Cap	2	M8 x 1.25 x 100
17	3913750	Hose, Plain	1	
18	3913753	Tube, Water Transfer	1	
19	3918493	Hose, Flexible	1	
20	3918494	Hose, Flexible	1	
21	3918495	Hose, Flexible	1	
22	3918496	Hose, Flexible	1	
23	3918919	Tube, Water Transfer	1	
	3921693	Isolator, Vibration	2	
24	(3918937)	Spacer, Mounting	1	
25	(3921694)	Isolator, Vibration	1	
26	3919667	Plate, Clamping	2	
27	3919724	Exchanger, Heat	1	

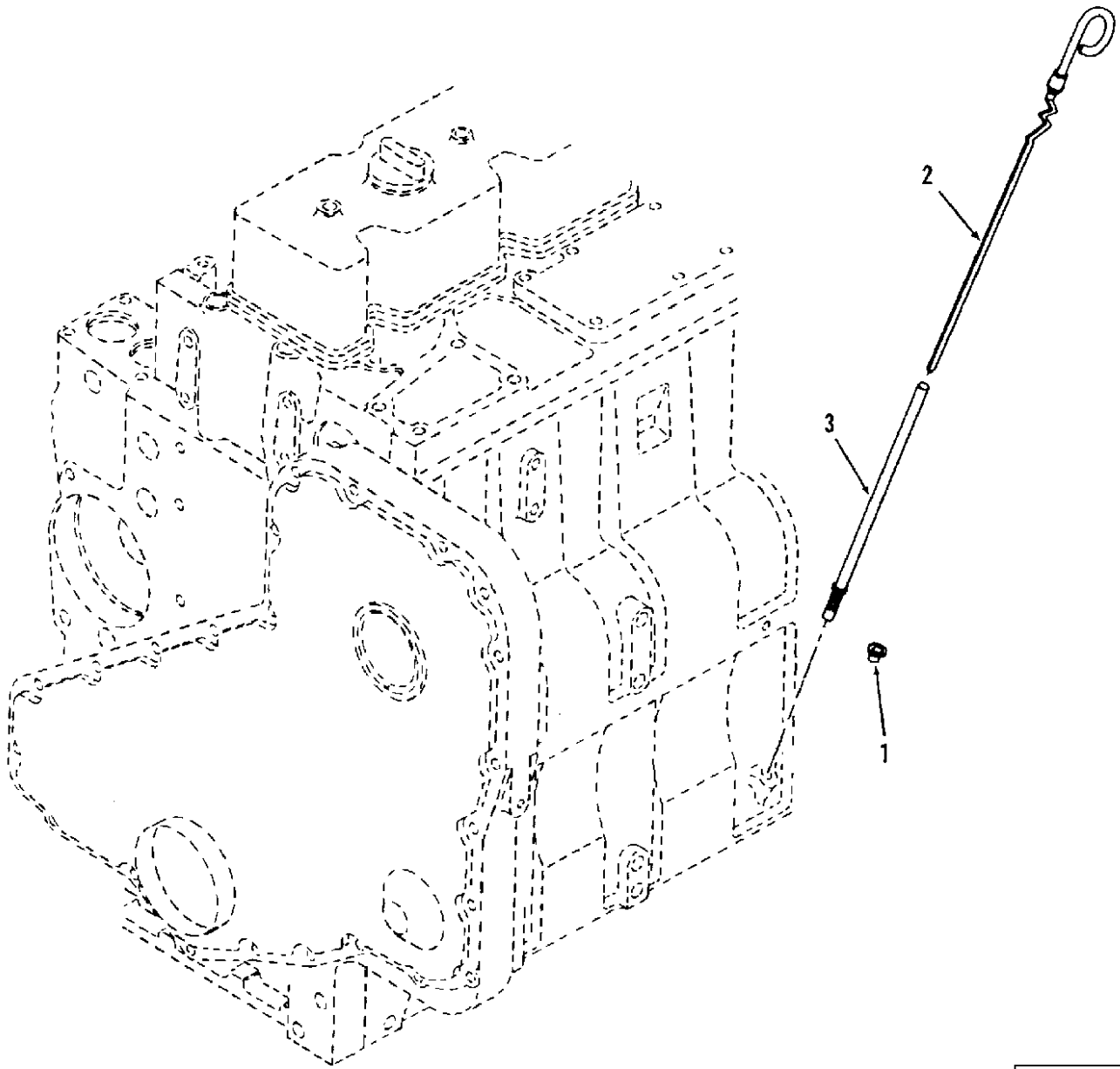


1a9006a

REF NO	PART NUMBER	PART NAME	REQ	REMARKS
	LA9006	Lifting Bracket	1	LIFTING BRACKET Structure Code: 02 EBM Engine Family: C Series Capscrew Length: 25MM Allows for intake trunking: No Max Lifting Loads (LBS.): 2000 Bracket Pre-Painted: No Bracket(s) Provided: Front and Rear
1	3901249	Screw, Hex Flange Head Cap	2	M12 x 1.75 x 25
2	3903200	Screw, Hexagon Head Cap	2	M12 x 1.75 x 25
3	3906440	Bracket, Lifting	1	
4	3907861	Bracket, Lifting	1	

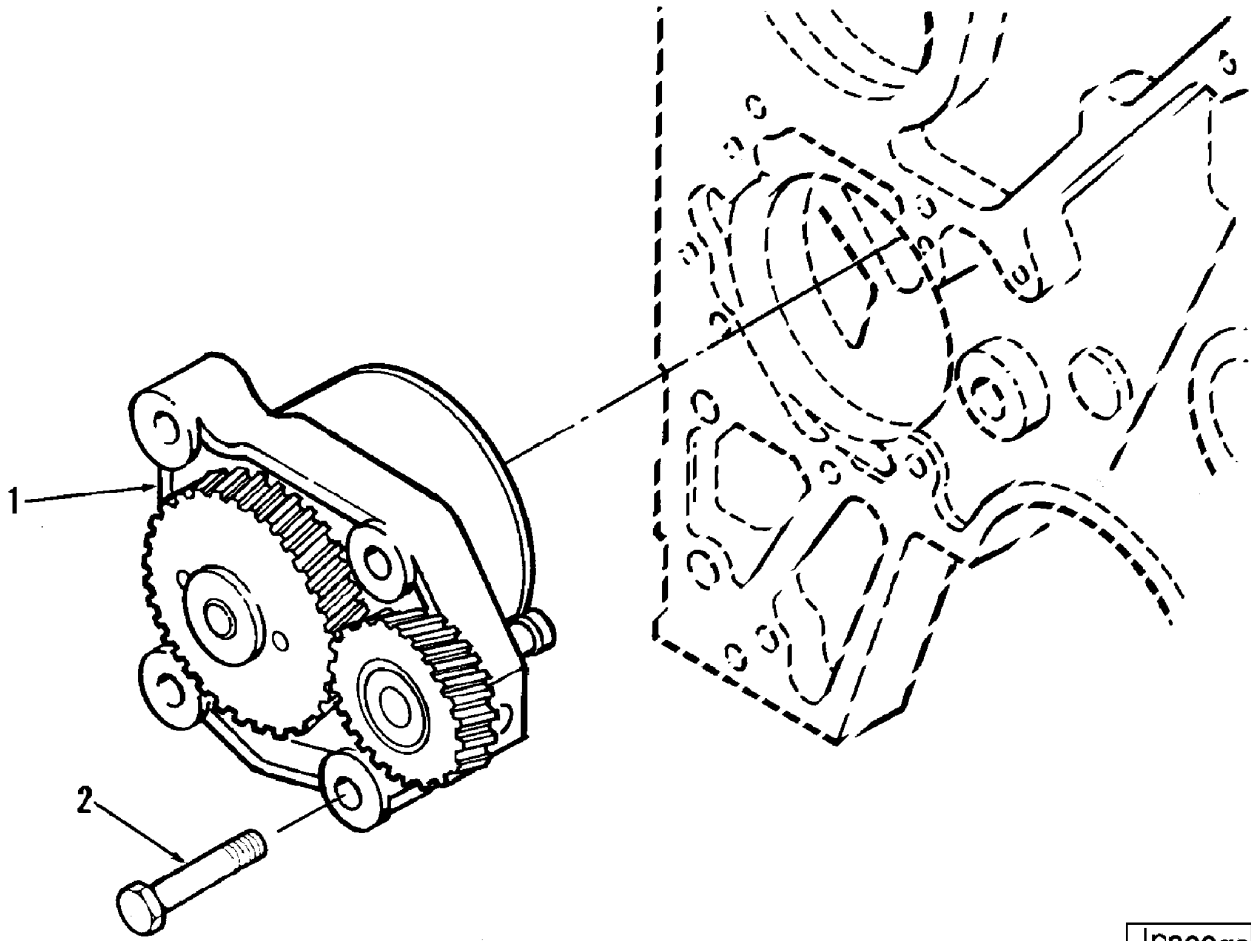


REF NO	PART NUMBER	PART NAME	REQ	REMARKS
	LC9028	Engine Oil Cooler	1	Lube Oil Cooler Cylinders: 6 Cooler Type: Plate Mounting Position/Location: Vertical Filter Material: Cellulose Unique Characteristics: W/Full Flow Bypass Filter Filter Head Thickness: 43.50mm Engine Families: C Series Restricted Aspiration: Charged Air Cooled Jacket Water Aftercooled Sea Water Aftercooled Turbocharged Pressure Relief set 65 PSI
1	68274	Spring, Compression	1	
2	3008469	Plug, Pipe	1	3/4 NPT
3	3027232	Plug, Pipe	1	1/2 NPT
4	3318853	Element, Lub Oil Filter	1	
5	3906619	Plug, Pipe	2	1/8 NPT
6	3916073	Screw, Hex Flange Head Cap	11	M8 x 1.25 x 65
7	3918174	Gasket, Oil Cooler Core	1	
8	3918175	Core, Cooler	1	
9	3918532	Plunger, Prs Regulator	1	
10	3929011	Gasket, Lub Oil Clr Cover	1	
	3931084	Plug, Threaded	1	
11	(3930910)	Plug, Threaded	1	
12	3930911	Seal, O Ring	1	
	3934159	Head, Lub Oil Filter	1	
13	118227	Dowel, Ring	1	
14	3907860	Screw, Hex Flange Head Cap	4	M8 x 1.25 x 25
15	3918334	Head, Lub Oil Filter	1	
16	3921605	Gasket, Filter Head	1	
17	(3931077)	Cover, Lub Oil Cooler	1	
18	3933615	Valve, Pressure Relief	1	
	3934410	Valve, Bypass	1	
19	3201562	Seal, O Ring	1	
20	(3934278)	Valve, Bypass	1	



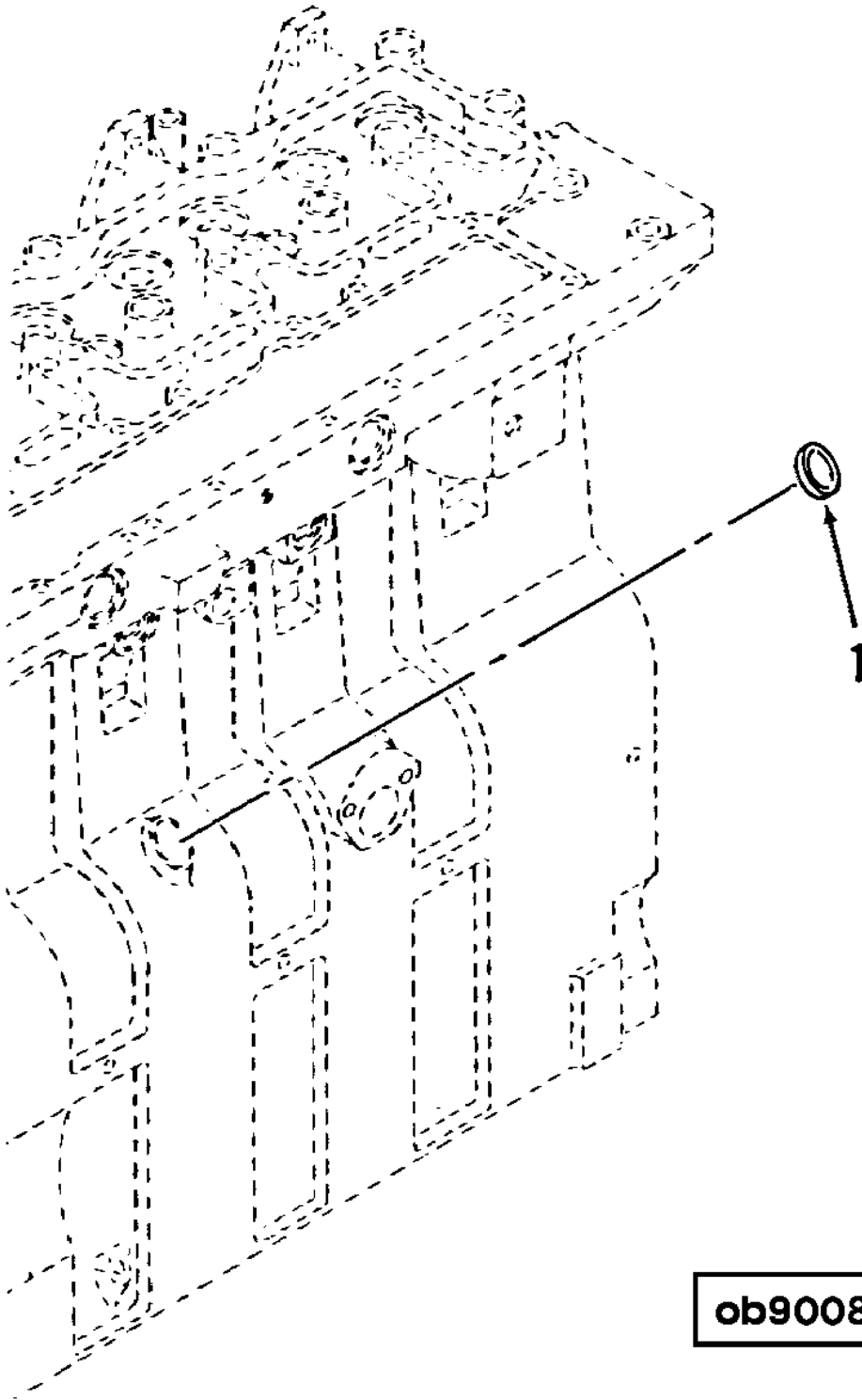
1g9144a

REF NO	PART NUMBER	PART NAME	REQ	REMARKS
	LG9029	Oil Level Gauge	1	Lube Oil Gauge Structure Language: 02 EBM Family: C Series Cylinders: 6 Supplier: Cummins Oil Pan High Limit (qt): 20 Oil Pan Low Limit (qt): 16 Oil Pan Sump: Center Entry Location from FFOB (mm): 428.0 Power Angle (deg): 0 Engine Tilt (deg): 0 Pull Direction: Vertical Tube Termination Side: Fuel Pump side Tube Effective Length (mm): 65.
1	3900955	Plug, Expansion	1	
2	3906757	Dipstick	1	
3	3279104	Tube, Oil Gauge	1	



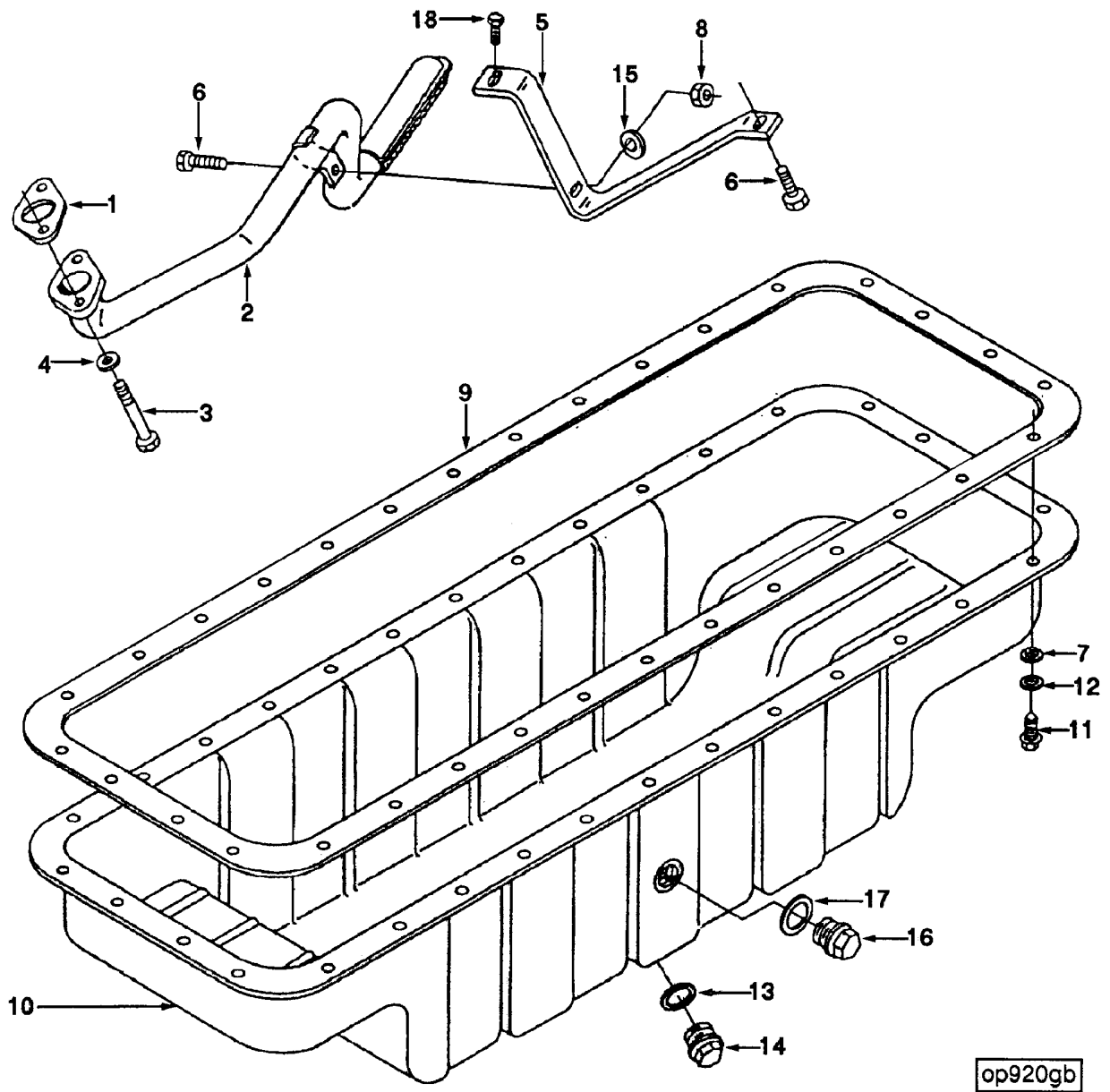
lp900ga

REF NO	PART NUMBER	PART NAME	REQ	REMARKS
	LP9710	Lube Oil Pump	1	Lubrication Oil Pump Structure Code: 02 EBM Engine Design Phase: Current Product Pump Drive: Non-Crank Concentric Body Material: Cast iron body Flow Rate@Pump Speed (GPM @ RPM): 27.5 @ 2200 Gear Type: Steel HCR Gear Piston Cooling Method: Saddle Jet Engine Families: C Series Cylinders - Engine Aspiration: 6 - Naturally Aspirated 6 - Turbocharged 6 -Jacket Water Aftercooled 6 -Sea Water Aftercooled 6 - Charge Air Cooled.
1	3800828	Kit, Lube Pump	1	
	(3948071)	Pump, Lubricating Oil	1	
	3945967	Plunger, Prs Regulator	1	Use with the "dump to sump"
2	3900677	Screw, Hexagon Head Cap	4	M8 x 1.25 x 30

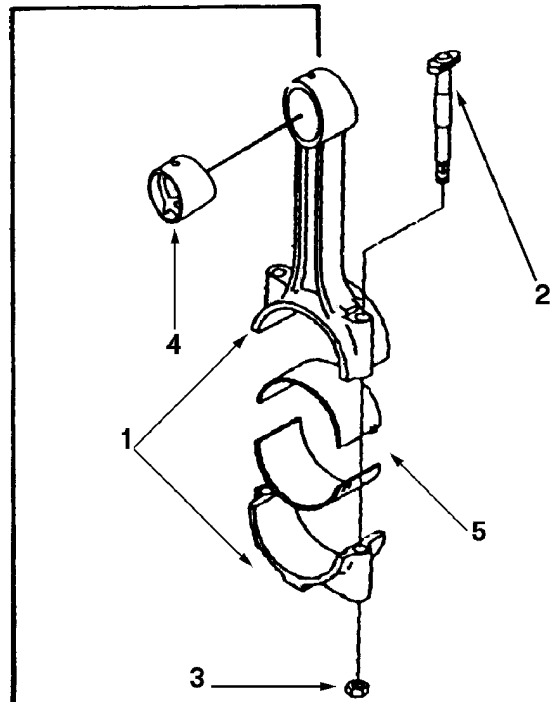
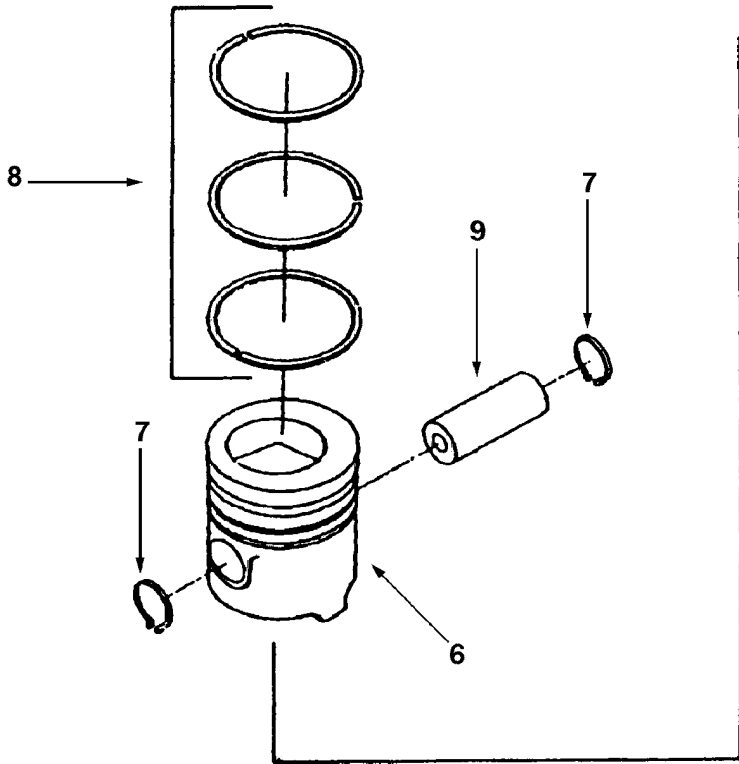


ob9008a

REF NO	PART NUMBER	PART NAME	REQ	REMARKS
	OB9008	Cylinder Block Cover	1	Cylinder Block Cover Engine Family: C Series Fill Tube Supplier: No fill provided Oil Fill Location: Fuel Pump Side Structure Code: 02 EBM For use when no side oil fill is specified. DEP may use 3906732 expansion plug in place of 3905401 expansion plug.
1	3905401	Plug, Expansion	1	

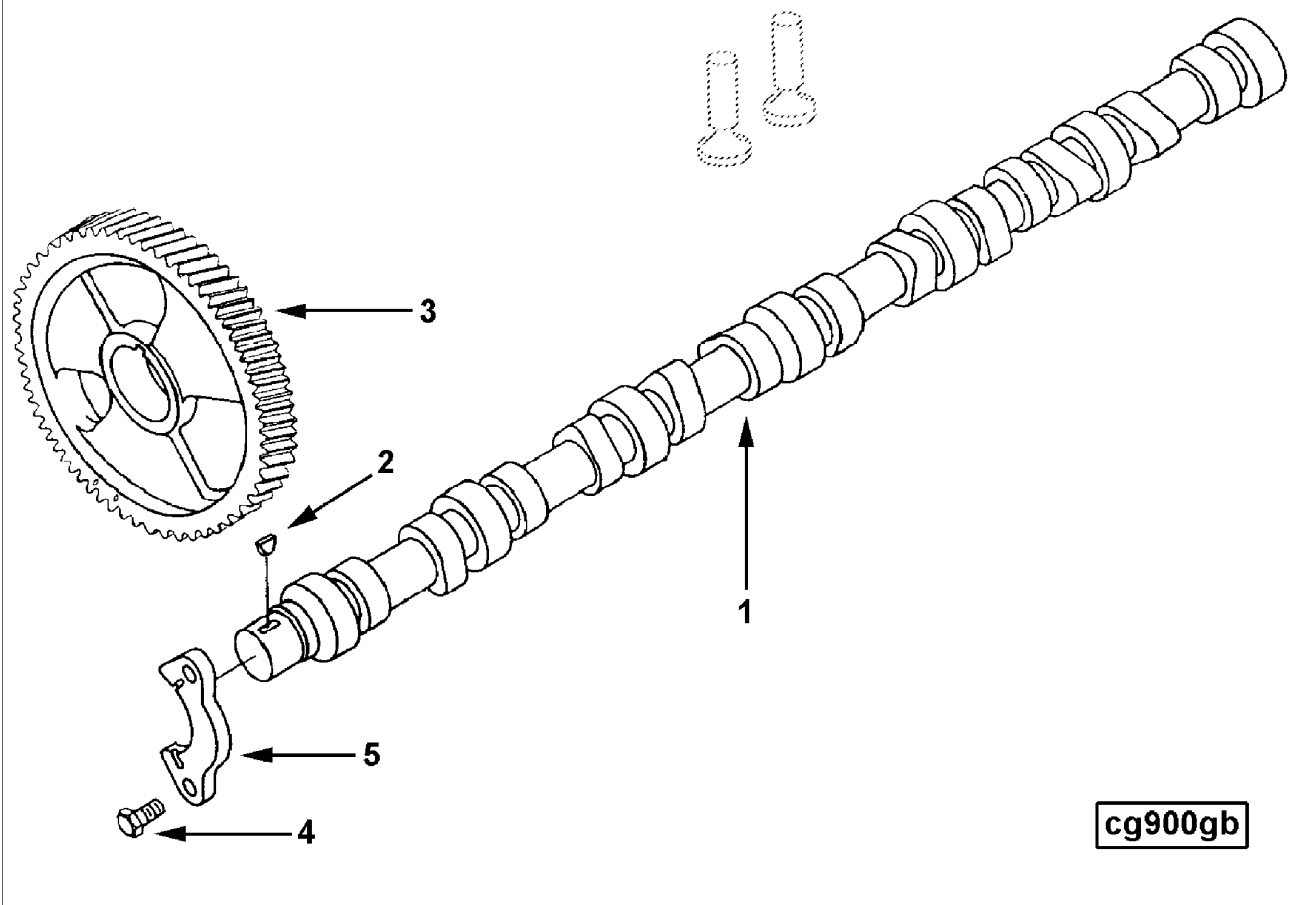


REF NO	PART NUMBER	PART NAME	REQ	REMARKS
	OP9013	Oil Pan	1	Oil Pan Family: C Series Cylinders: 6 Sump Style: Standard Sump Location: Center Oil Pan Material: Stamped Steel Drain Location: Fuel Pump side Pan High Capacity (qt): 20 (18.921 l) Pan Low Capacity (qt): 16 (15.137 l) Front Up Angularity (deg): 35 Front Down Angularity (deg): 35 Side To Side Angularity (deg): 45 Structure Code: 02 EBM Oil Pan Type: Non-isolated Internally Cast Suction Tube: No Required Oil Filter Medium: Cellulose Heater Boss Size & Location: 22mm Fuel Pump Washer 3910960 must be assembled between fastener bearing surface and brace 3927611. DEP may use 3282266 plug in place of 3924148 plug.
1	3914302	Gasket, Oil Suc Connection	1	
2	3912228	Connection, Oil Suction	1	
3	3900628	Screw, Hex Flange Head Cap	2	M6 x 1.00 x 30
4	3926865	Spacer, Mounting	2	
5	3927611	Brace, Tube	1	
6	3913638	Screw, Hex Flange Head Cap	2	M6 x 1.00 x 16
7	3908316	Washer, Plain	32	M9
8	3906216	Nut, Hexagon Flange	1	M6 x 1.00
9	3934044	Gasket, Oil Pan	1	
10	3914015	Pan, Oil	1	
11	3907860	Screw, Hex Flange Head Cap	32	M8 x 1.25 x 25
12	3910266	Washer, Spring	32	
13	3920773	Washer, Sealing	1	
14	3924147	Plug, Threaded	1	M18 x 1.50 Thd
15	3910960	Washer, Plain	1	M6
16	3924148	Plug, Threaded	1	M22 x 1.50 Thd
17	3902425	Washer, Sealing	1	
18	3901865	Screw, Hex Flange Head Cap	1	M6 x 1.00 x 20

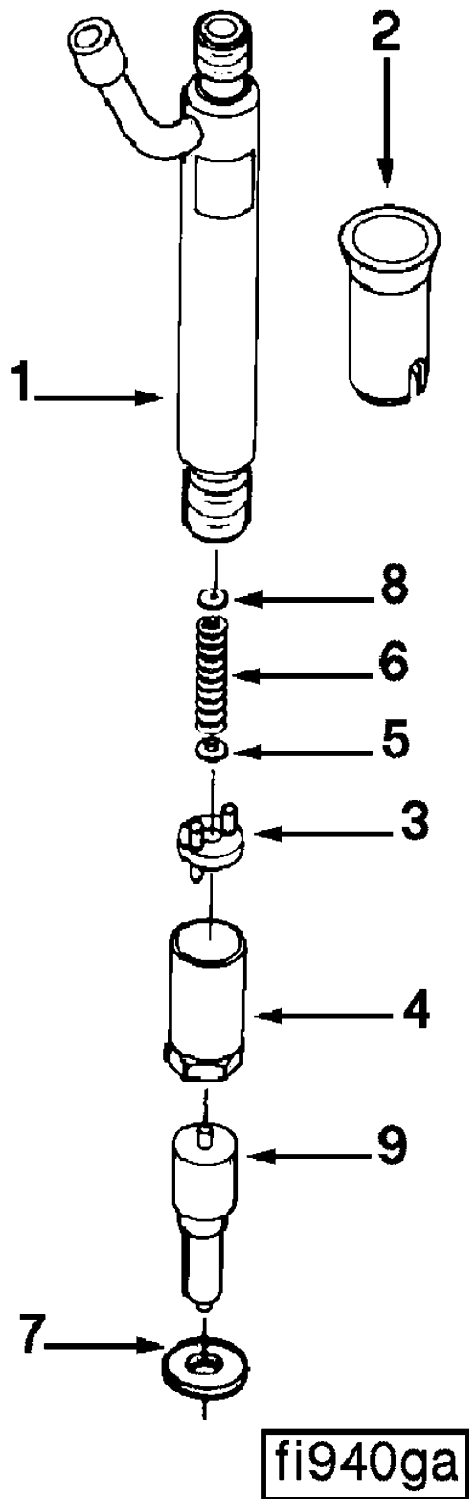


pp920gf

REF NO	PART NUMBER	PART NAME	REQ	REMARKS
	PP1366	Connecting Rod And Piston	1	CPL1366
	3901383	Rod, Engine Connecting	6	
1	(3924350)	Rod, Engine Connecting	1	
2	3928870	Bolt, Connecting Rod	2	
3	3934864	Nut, Connecting Rod	2	
4	3913990	Bushing	1	
5	3901430	Bearing, Connecting Rod	12	STD
	3802280	Kit, Engine Piston	6	
6	(3919566)	Piston, Engine	1	
7	3901996	Ring, Retaining	2	
8	3802429	Set, Piston Ring	1	Standard
9	3901597	Pin, Piston	6	
5	3901431	Bearing, Connecting Rod	A/R	010
5	3901432	Bearing, Connecting Rod	A/R	020
5	3901433	Bearing, Connecting Rod	A/R	030
5	3901434	Bearing, Connecting Rod	A/R	040

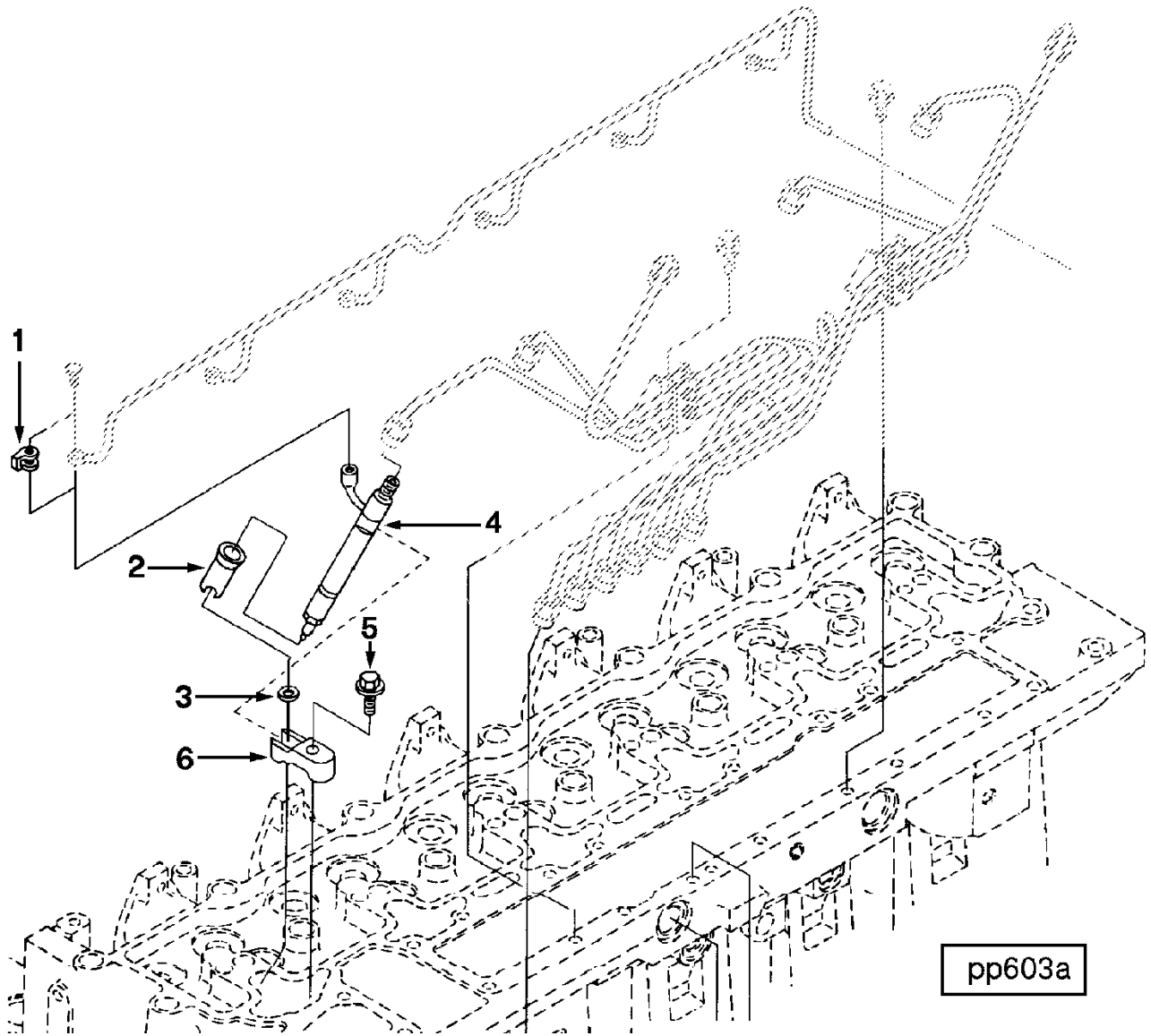


REF NO	PART NUMBER	PART NAME	REQ	REMARKS
	PP1366	Camshaft	1	CPL1366
1	3924471	Camshaft	1	
2	3902332	Key, Plain Woodruff	1	
3	3918777	Gear, Camshaft	1	
4	3900227	Screw, Hexagon Head Cap	2	M8 x 1.25 x 22
5	3927155	Support, Camshaft Thrust	1	

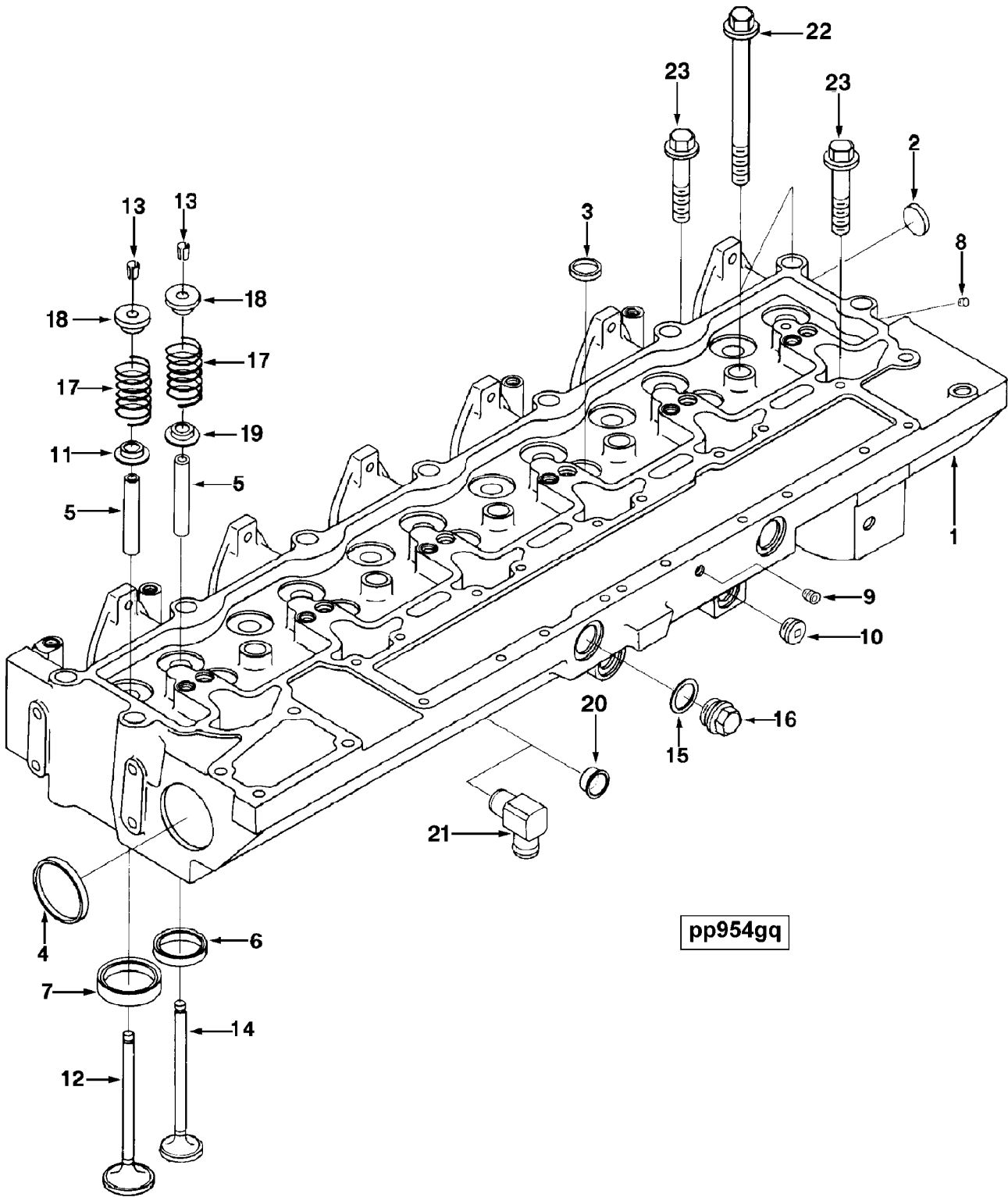


REF NO	PART NUMBER	PART NAME	REQ	REMARKS
	PP1366	Fuel Injector	1	CPL1366
	3802202	Injector	6	
1	(3913735)	Injector	1	
2	3909886	Seal, Injector	1	
3	3905154	Disc, Intermediate	1	
4	3905155	Retainer, Injector Nozzle	1	
5	3915118	Spindle, Injector	1	
6	3915119	Spring, Compression	1	
7	3906659	Seal, Injector	1	
8		Shim		See following page
9	3916551	Nozzle, Injector	1	Bosch

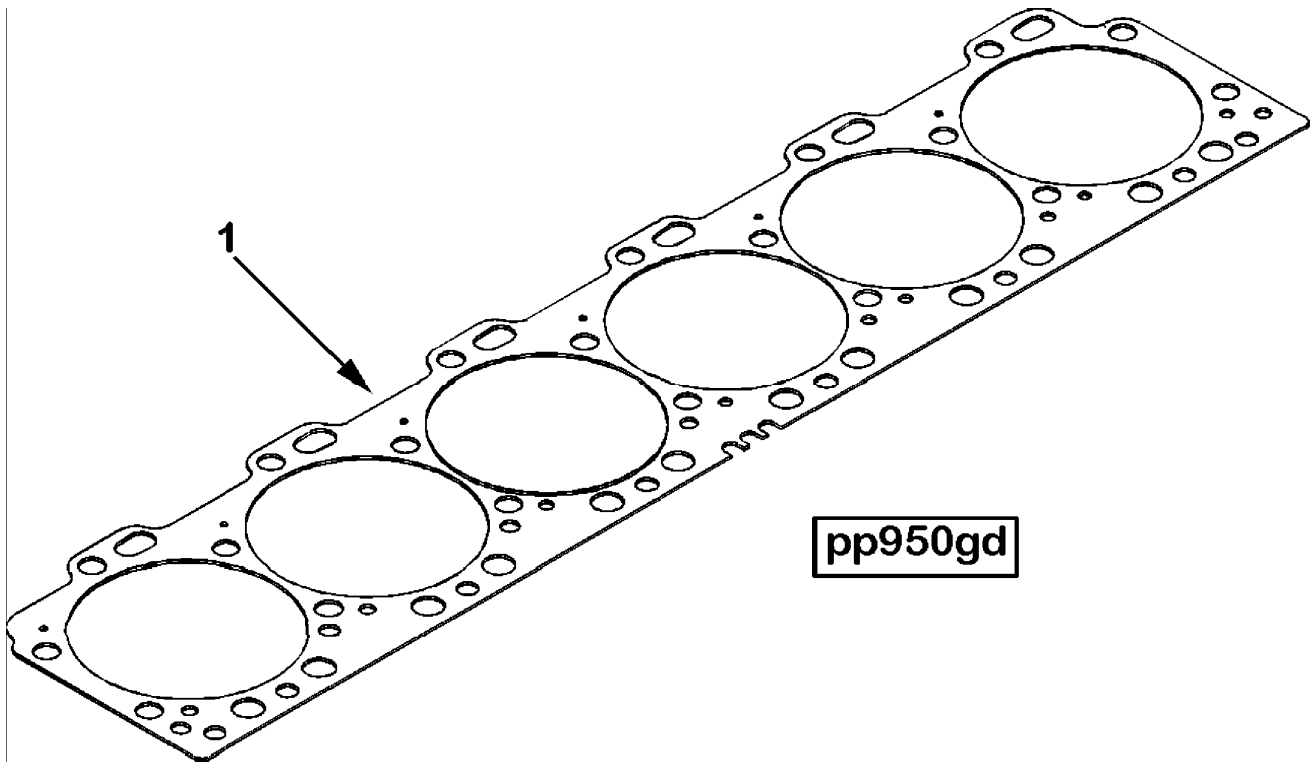
REF NO	PART NUMBER	PART NAME	REQ	REMARKS
	PP1366	Fuel Injector	1	CPL1366
8	3905156	Shim	A/R	1.00 mm Thick
8	3905157	Shim	A/R	1.04 mm Thick
8	3905158	Shim	A/R	1.08 mm Thick
8	3905159	Shim	A/R	1.10 mm Thick
8	3905160	Shim	A/R	1.14 mm Thick
8	3905161	Shim	A/R	1.18 mm Thick
8	3905162	Shim	A/R	1.20 mm Thick
8	3905163	Shim	A/R	1.24 mm Thick
8	3905164	Shim	A/R	1.28 mm Thick
8	3905165	Shim	A/R	1.30 mm Thick
8	3905166	Shim	A/R	1.34 mm Thick
8	3905167	Shim	A/R	1.38 mm Thick
8	3905168	Shim	A/R	1.40 mm Thick
8	3905169	Shim	A/R	1.44 mm Thick
8	3905170	Shim	A/R	1.48 mm Thick
8	3905171	Shim	A/R	1.50 mm Thick
8	3905172	Shim	A/R	1.54 mm Thick
8	3905173	Shim	A/R	1.58 mm Thick
8	3905174	Shim	A/R	1.60 mm Thick
8	3905175	Shim	A/R	1.64 mm Thick
8	3905176	Shim	A/R	1.68 mm Thick
8	3905177	Shim	A/R	1.70 mm Thick
8	3905178	Shim	A/R	1.74 mm Thick
8	3905180	Shim	A/R	1.78 mm Thick
8	3905181	Shim	A/R	1.80 mm Thick
8	3905182	Shim	A/R	1.84 mm Thick
8	3905183	Shim	A/R	1.88 mm Thick
8	3905184	Shim	A/R	1.90 mm Thick
8	3905185	Shim	A/R	1.94 mm Thick
8	3905186	Shim	A/R	1.98 mm Thick



REF NO	PART NUMBER	PART NAME	REQ	REMARKS
	PP1366	Fuel Injector	1	CPL1366
	3802202	Injector	6	
1	3903380	Seal, Banjo Connector	1	6MM
2	3909886	Seal, Injector	1	
3	3906659	Seal, Injector	1	
4	(3913735)	Injector	1	Bosch
5	3902112	Screw, Hex Flange Head Cap	6	M8 x 1.25 x 80
6	3910279	Clamp, Injector	6	

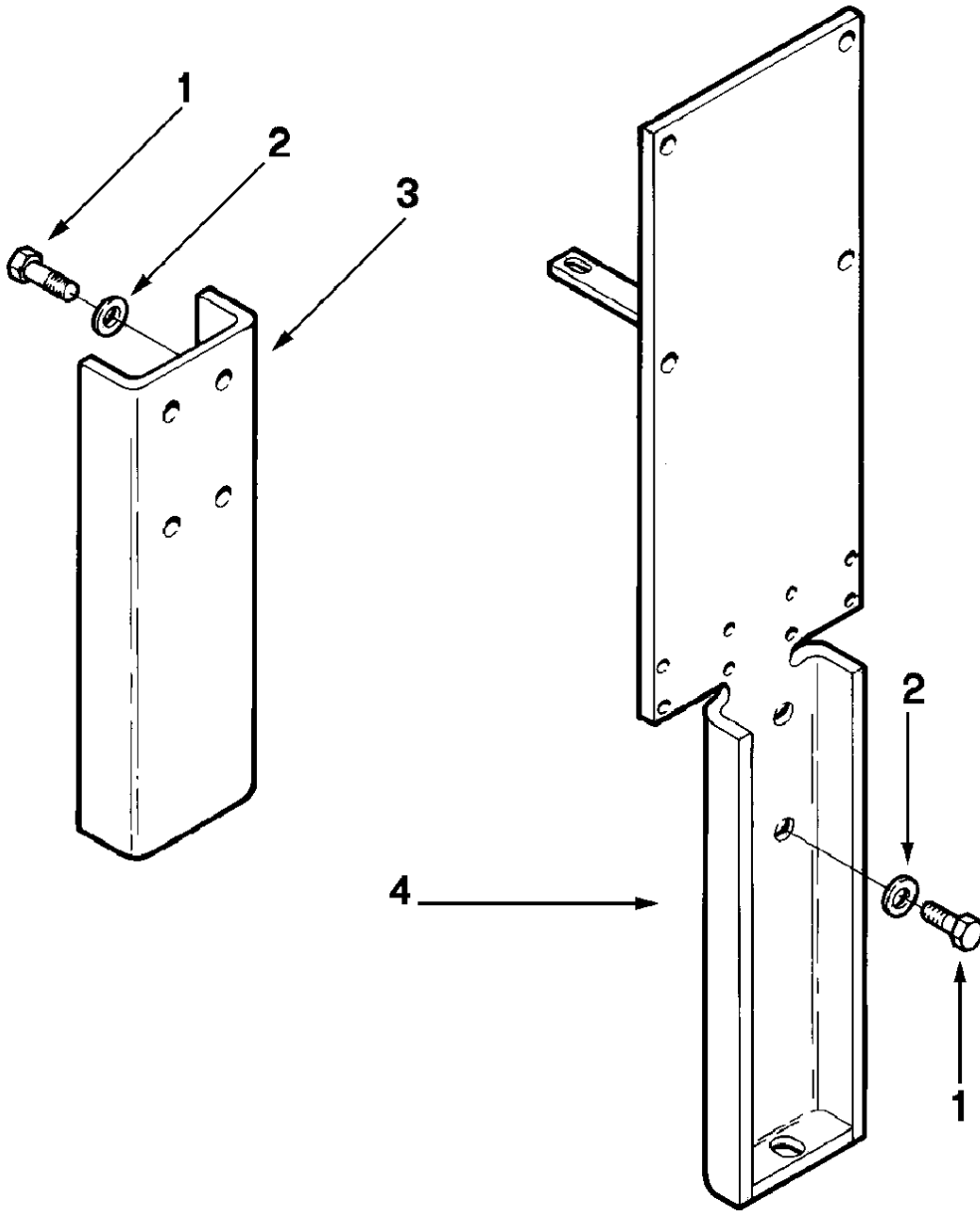


REF NO	PART NUMBER	PART NAME	REQ	REMARKS
	PP9830	Cylinder Head	1	Cylinder Head Engine Family: C Series Cylinder: 6 Swirl: Low Exh Spring PSI: 30 Air Compressor Inlet Coupling: Without Notched Head: No Cylinder Head Material: Cast Iron Cylinder Head Valve Material: Premium Exhaust Manifold Type: Dry Aspiration: Jacket Water Aftercooled Charge Air Cooled Naturally Aspirated Turbocharged
	3802465	Head, Cylinder	1	
1	(3925642)	Head, Cylinder	1	
2	3920443	Plug, Expansion	1	
3	3032693	Plug, Expansion	5	
4	3922072	Plug, Expansion	2	
5	3925863	Guide, Valve Stem	12	
6	3928174	Insert, Valve	6	Exhaust
7	3924582	Insert, Valve	6	
8	3008464	Plug, Pipe	1	1/16 NPT
9	3008466	Plug, Pipe	1	1/4 NPT
10	3008468	Plug, Pipe	1	1/2 NPT
11	3915707	Seal, Valve Stem	6	Intake
	3802463	Kit, Intake Valve		
12	(3924492)	Valve, Intake	6	
13	3901177	Collet, Valve	12	
	3802085	Valve, Exhaust	6	
14	(3921444)	Valve, Exhaust	6	
13	3901177	Collet, Valve	12	
15	3902425	Washer, Sealing	2	
16	3904386	Plug, Threaded	2	M22 x 1.50 x 14
17	3906412	Spring, Valve	6	Intake
17	3906412	Spring, Valve	6	Exhaust
18	3912976	Retainer, Valve Spring	12	
19	3919038	Seal, Valve Stem	6	Exhaust
20	3912900	Plug, Expansion	1	
21	3924138	Coupling, Elbow Hose	1	Replaces 3912900 plug when air compressor is used.
22	3917728	Screw, Hex Flange Head Cap	14	M14 x 2.00 x 160
23	3917729	Screw, Hex Flange Head Cap	12	M14 x 2.00 x 80



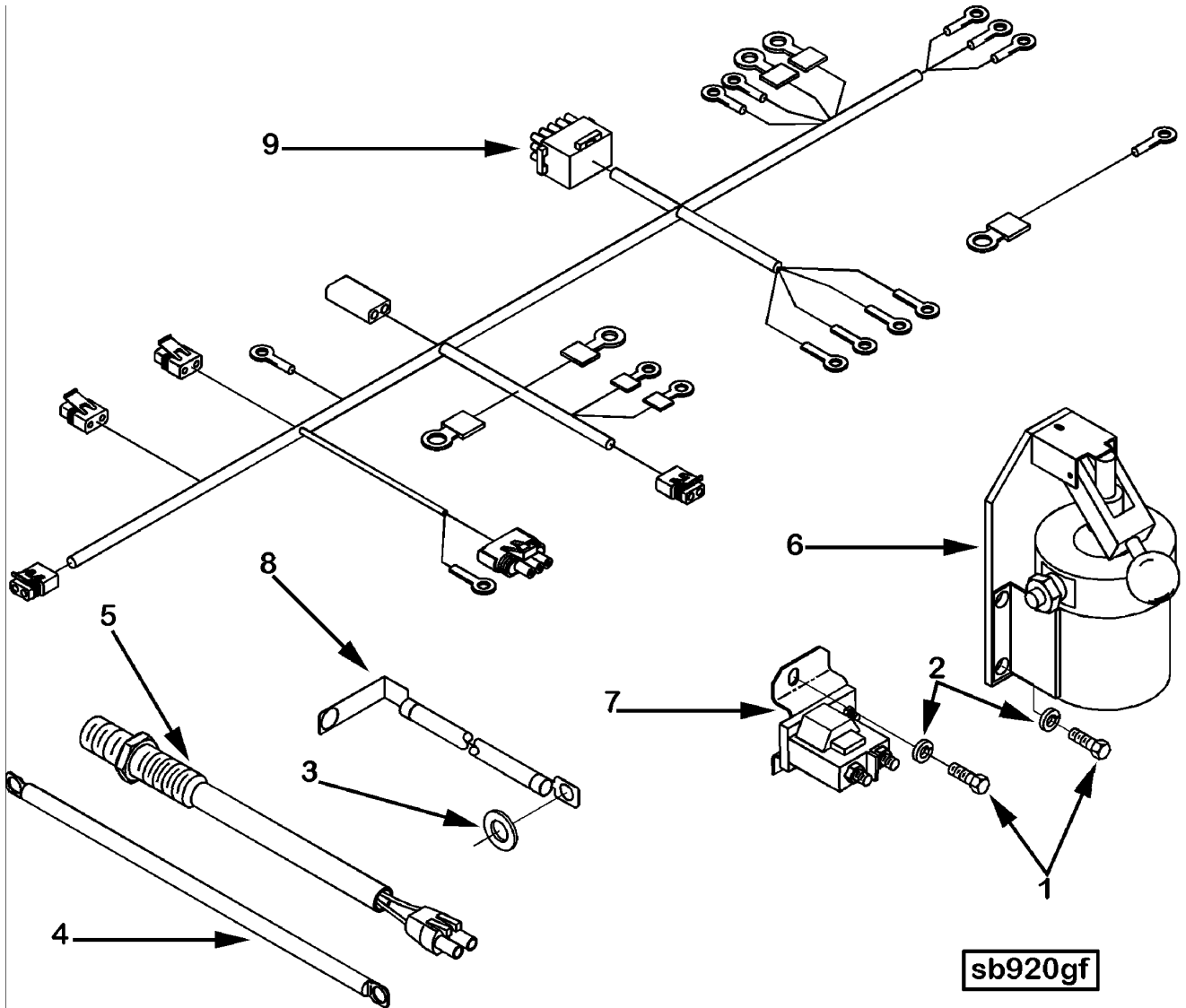
REF NO	PART NUMBER	PART NAME	REQ	REMARKS
	PP97301	Cylinder Head Mounting	1	Cylinder Head Mounting Engine Family: C Series Engine Cylinders: 6 Gasket Material: Standard
1	3931019	Gasket, Cylinder Head	1	

REF NO	PART NUMBER	PART NAME	REQ	REMARKS
	PP97315	Turbocharger	1	Turbocharger Engine Family: C Series Turbocharger Location: RMSO Base ID17 Turbocharger: 3537939 Turbocharger Type: Non- wastegate Compressor Angle (shipping deg): 258 Turbine Angle (deg): 270 Structure Code: 02 EBM Engine Cylinders: 6 Engine Aspiration: Jacket Water Aftercooled 1800 and above only Non active oil cooled turbocharger.
	(3537940)	Turbocharger	1	
	(3537939)	Turbocharger	1	
	3502017	Plate, Clamping	3	
	3502231	Slinger, Oil	1	
	3503347	Screw, Flat Head Cap	3	
	3503668	Baffle, Oil	1	
	3503678	Adapter, Reducing	1	
	3504413	Bearing, Turbocharger	2	
	3518004	Washer, Lock	8	M6
	3519163	Screw, Drive	2	
	3522232	Shaft & Wheel	1	
	3523049	Union, Banjo Connector	2	
	3523227	Plate, Clamping	2	
	3523542	Collar, Thrust	1	
	3523613	Bearing, Tur Thrust	1	
	3524262	Screw, Hexagon Head Set	8	M6 X 1.00 X 12.
	3524808	Impeller, Tur Compressor	1	
	3525003	Housing, Compressor	1	
	3525199	Housing, Tur Bearing	1	
	(3526038)	Housing, Turbine	1	
	(3527619)	Dataplate	1	
	3529846	Shield, Turbocharger Heat	1	
	3533760	Screw, Banjo Connector	2	
	3709753	Ring, Retaining	4	
	3755947	Washer, Sealing	5	
	3756754	Seal, Split Ring	1	
	3758848	Seal, Split Ring	1	
	3759917	Screw, Hexagon Head Set	6	M8 x 1.25 x 12
	3760250	Nut, Lock	1	M8 X 1.25.
	3762449	Ring, Retaining	1	
	3762564	Plate, Oil Seal	1	
	3762915	Seal, O Ring	1	
	3818824	Nut, Hexagon Flange	4	M10 x 1.50
	3907978	Stud	4	M10 x 1.50(Both Ends) x 50
	3921926	Gasket, Turbocharger	1	



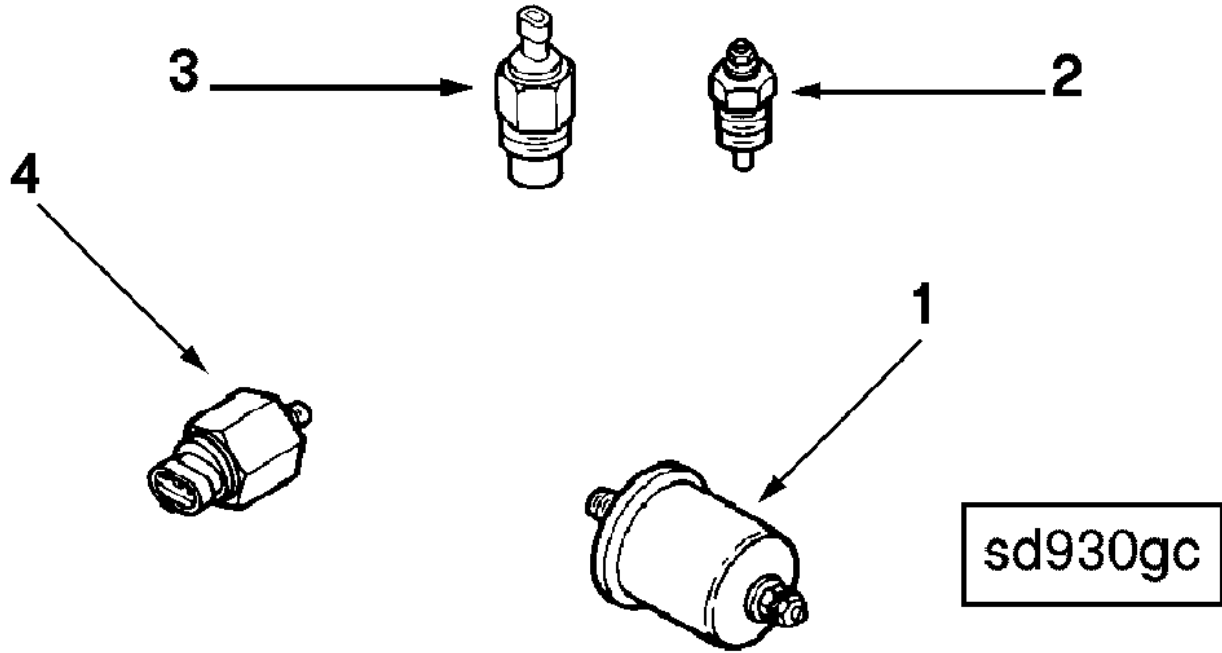
re940ga

REF NO	PART NUMBER	PART NAME	REQ	REMARKS
	RE9021	Rear Engine Support	1	REAR ENGINE SUPPORT Engine Family: C Series Application: Fire Pump Unique Characteristics: 2 point mount w/mounting hardware. Structure Code: 02 EBM
1	3018006	Screw, Hexagon Head Cap	8	M16 x 2.00 x 45
2	3018007	Washer, Plain	8	M16
3	3919616	Support, Flywheel Housing	1	
4	3919804	Support, Flywheel Housing	1	

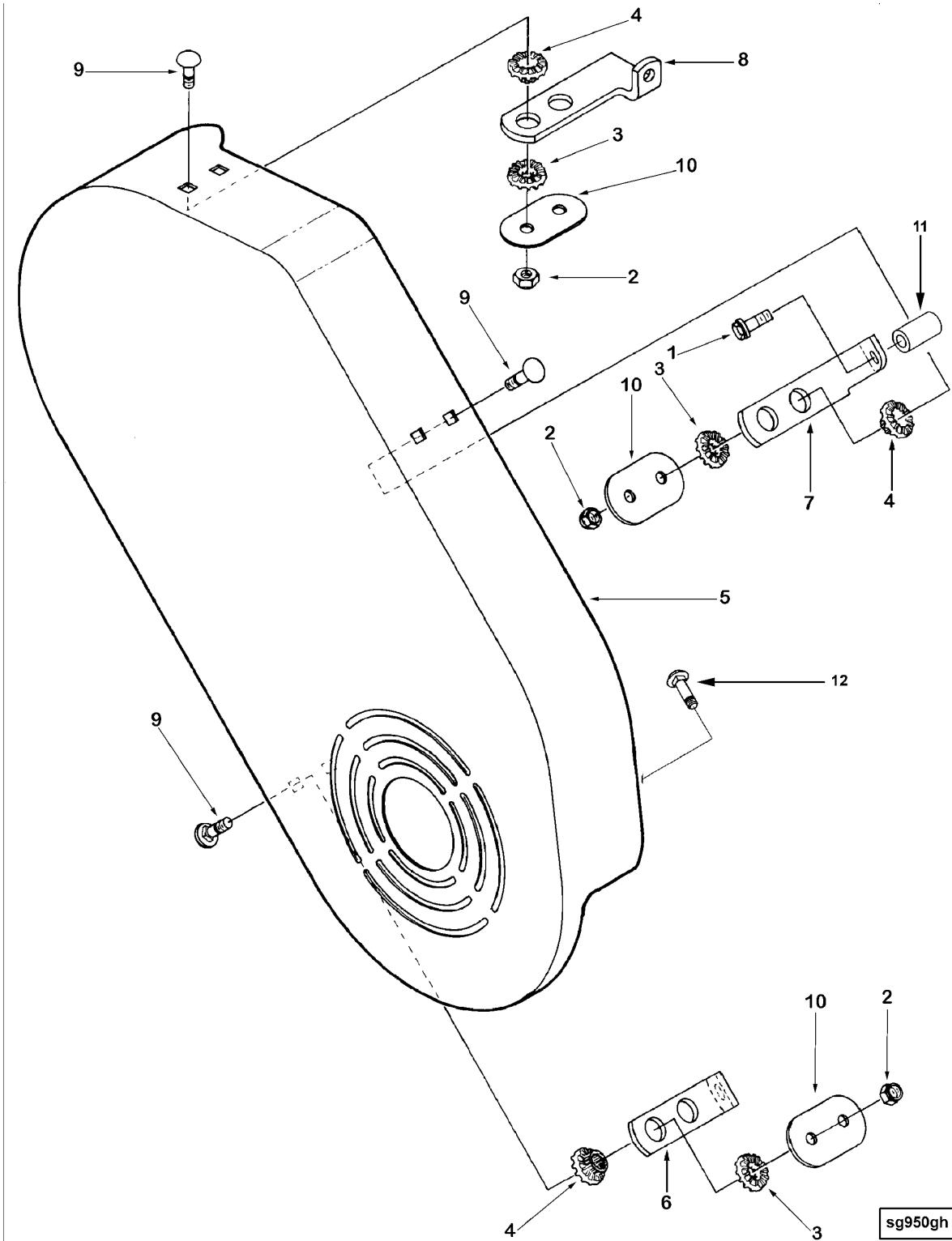


sb920gf

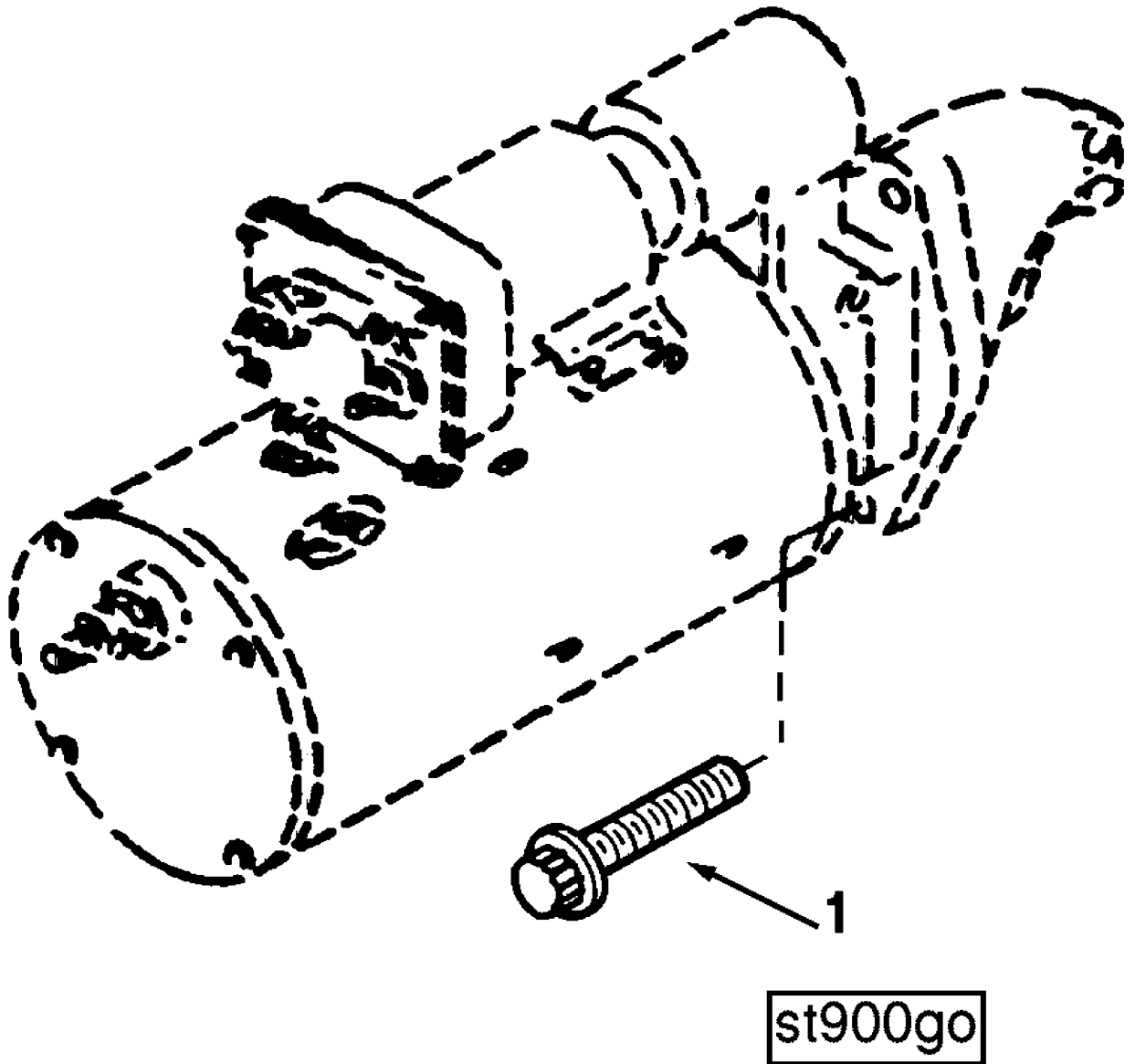
REF NO	PART NUMBER	PART NAME	REQ	REMARKS
	SB9049	Electric Starting Accessor	1	Electrical Starting Accessories Cyl #: 6 Panel Side: Fuel Pump System Voltage: 12 Harness Included: No Mtg Hdwe Included: Yes Engine Family: C Series Dual starter solenoids for use on fire pumps. Cable from solenoids to starter included.
1	S-114	Screw, Hexagon Head Cap	10	1/4 - 20 X 3/4 Inch.
2	S-600	Washer, Lock	10	1/4 inch
3	S-622	Washer, Plain	1	3/8 inch
4	3026910	Cable	1	
5	3039524	Pickup, Magnetic	1	
6	3911867	Solenoid	2	
7	3916301	Switch, Magnetic	1	
8	3919597	Cable	1	
9	3925623	Harness, Wiring	1	



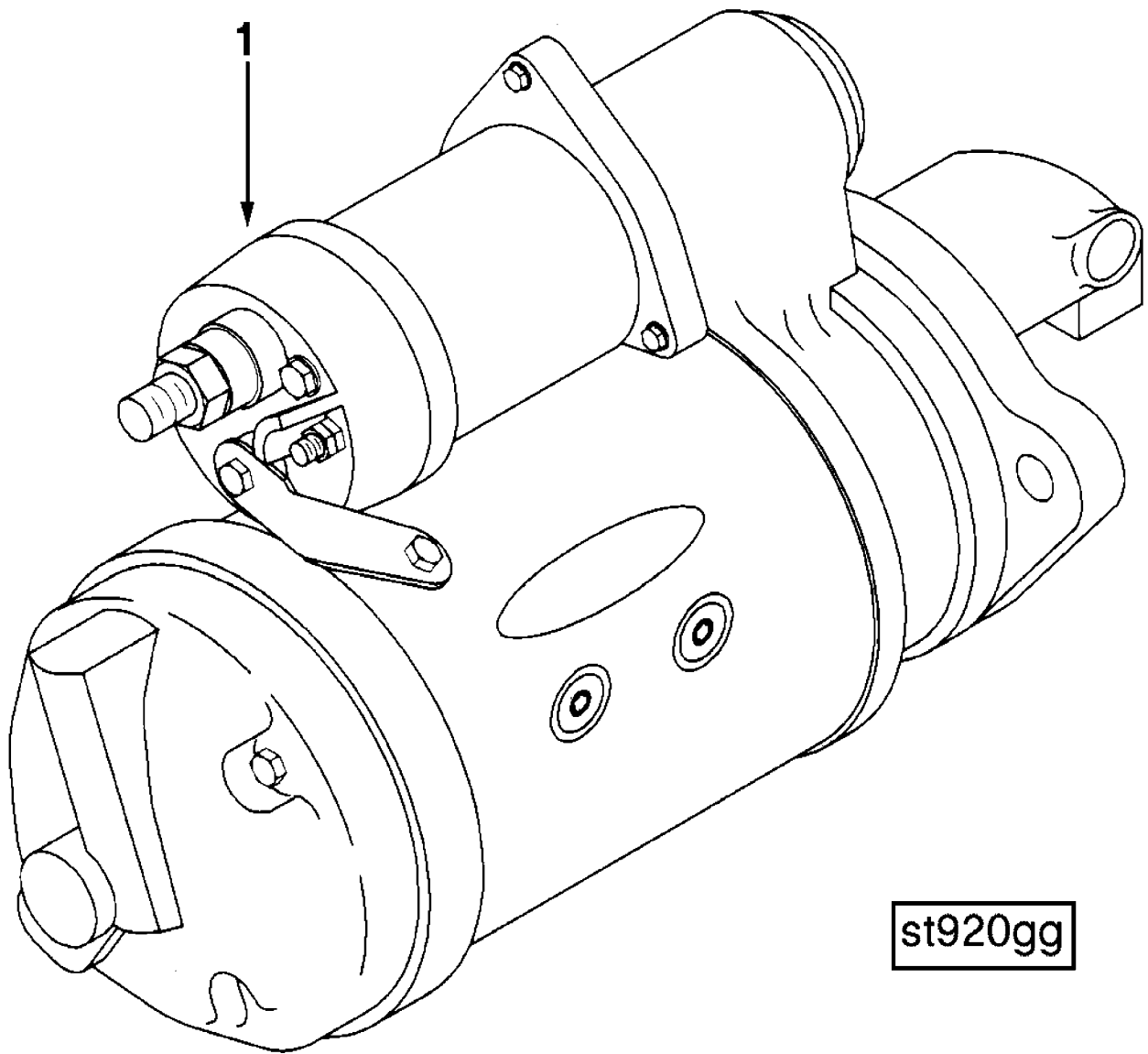
REF NO	PART NUMBER	PART NAME	REQ	REMARKS
	SD9012	Engine Monitoring Switch	1	Engine monitoring switches for the 6CTA8.3F. Monitors oil pressure and water temperature.
1	3015237	Transducer	1	
2	3015238	Transducer	1	
3	3056351	Switch, Temperature	1	
4	3062867	Switch, Pressure	3	



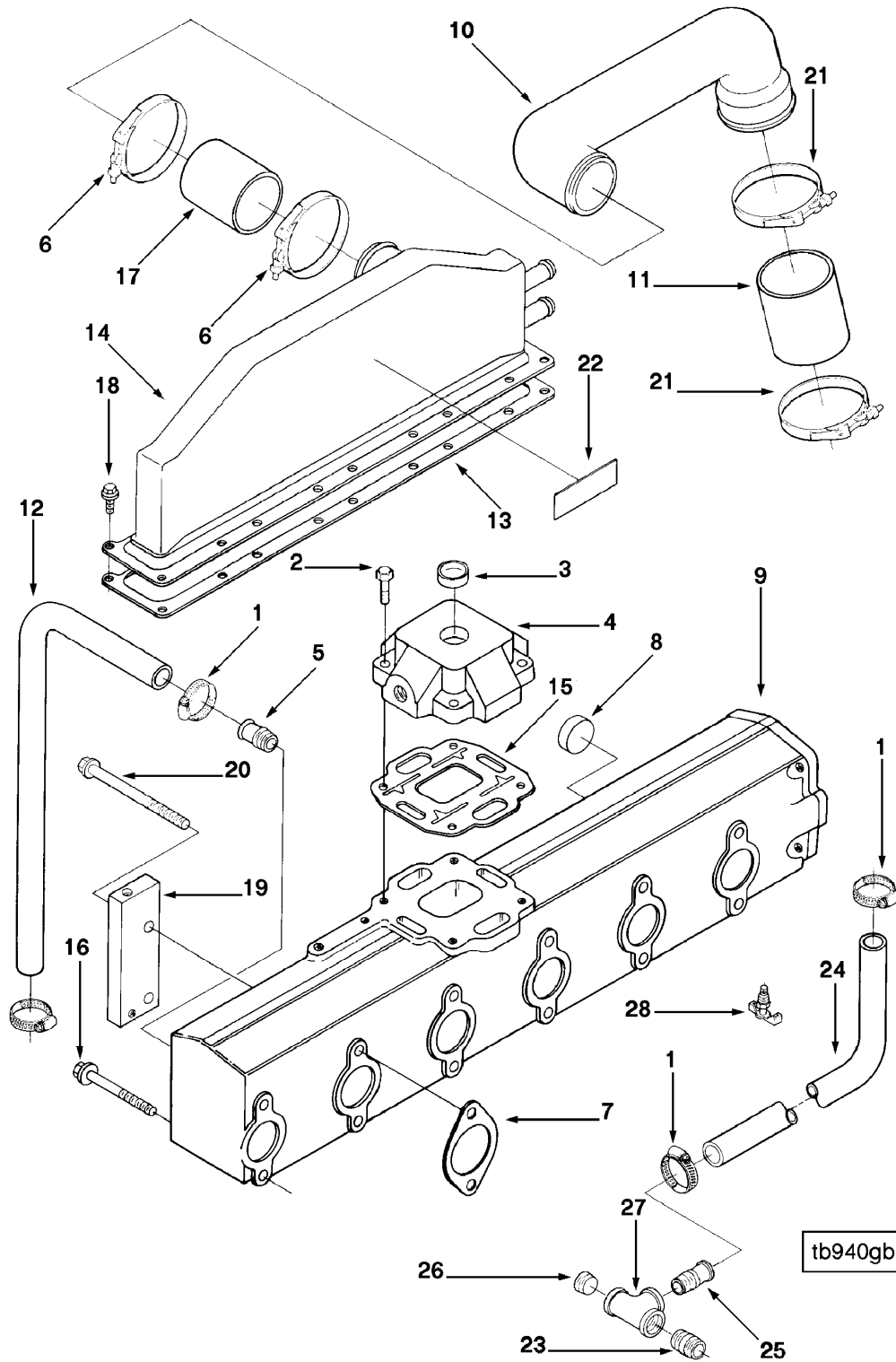
REF NO	PART NUMBER	PART NAME	REQ	REMARKS
	SG9043	Guard Package	1	Front belt guard for use with 20 SI Alternator. No Fan Drive Configuration and Front Leg Mounts. For C Series Fire Pump Engines.
1	3900630	Screw, Hex Flange Head Cap	1	M8 x 1.25 x 20
2	109558	Nut, Lock	6	
3	3035083	Isolator, Vibration	6	
4	3035084	Isolator, Vibration	6	
5	(3921633)	Guard, Belt	1	
6	3897933	Bracket, Belt Guard	1	
7	3897934	Bracket, Belt Guard	1	
8	3897937	Bracket, Belt Guard	1	
9	3393823	Bolt, Carriage	1	
10	3923360	Plate, Clamping	3	
11	3918542	Spacer, Mounting	1	
12	3902115	Screw, Hex Flange Head Cap	1	M12 x 1.75 x 65



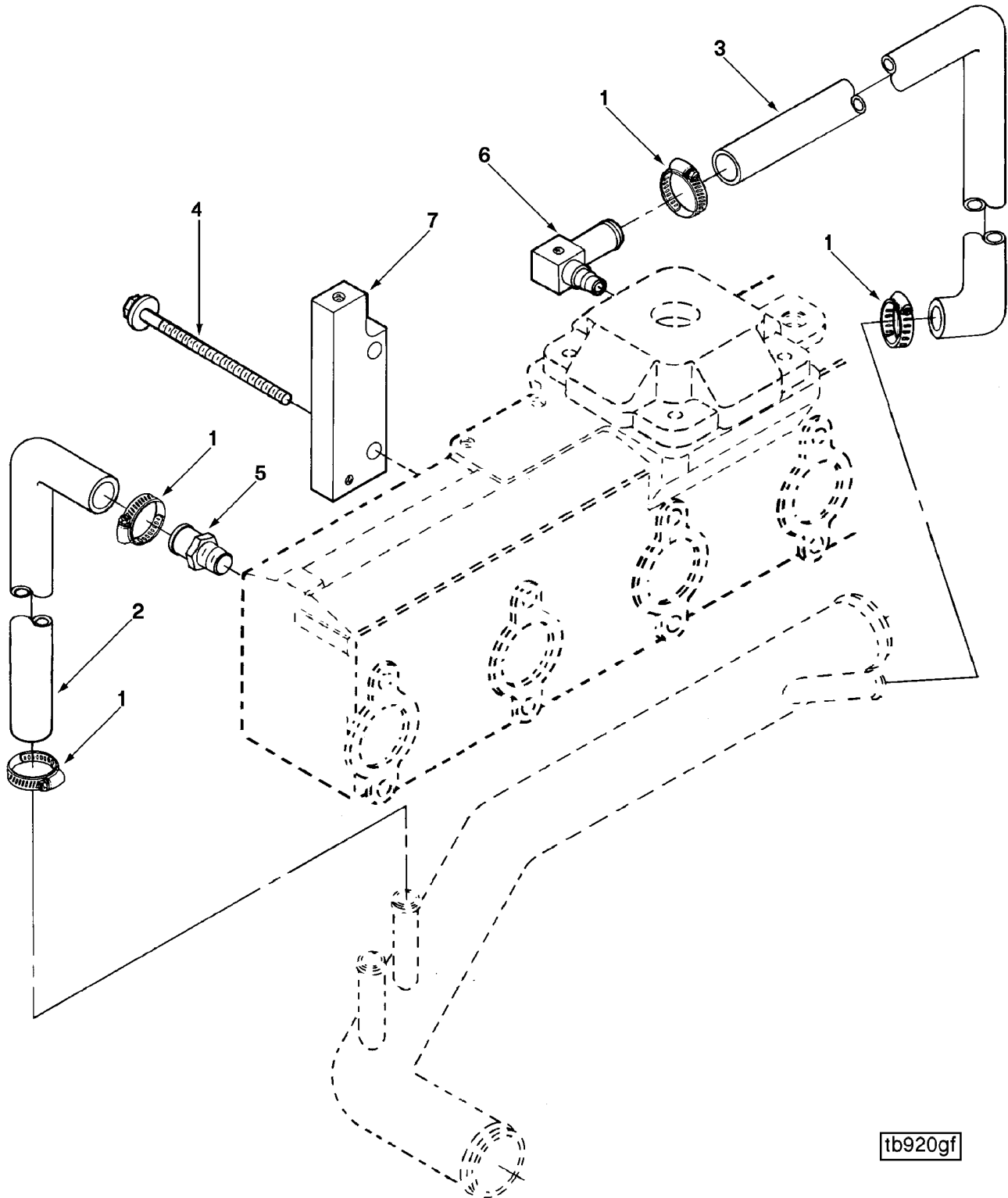
REF NO	PART NUMBER	PART NAME	REQ	REMARKS
	SM9706	Starting Motor Mounting	1	STARTER MOUNTING Clutch Type: Dry Mounting Capscrew or Nut Size M12 Required Pilot Bore (mm): 92.05 Spacer Thickness (mm): 0.0 Engine Family: C Series Starter Mount SAE: SAE #3 - 3 Bolt 120 Degree
1	3908321	Screw, Twelve Point Cap	3	M12 x 1.75 x 50



REF NO	PART NUMBER	PART NAME	REQ	REMARKS
	ST9063	Starter Motor	1	Starting Motor Mfg: Delco-Remy Volt: 12 Model/Type: 41MT Dia Pitch: 8/10 Mt SAE: SAE #3 - 3 Bolt 120 degree Wet/Dry: Wet Pilot Bore Diameter (mm): 92.05 W/Heat Shield: No Mtg Flg Thickness (mm): 17.80 Angle Limitation High (deg): 127.5 Angle Limitation Low (deg): 307.5 Supply Method: Mounted Starter Pinion Tooth Blank: 13 Starter Pinion Offset (mm): 0 Starter Solenoid Angle (deg): 323 Engine Family: C Series.
1	3921402	Motor, Starting	1	

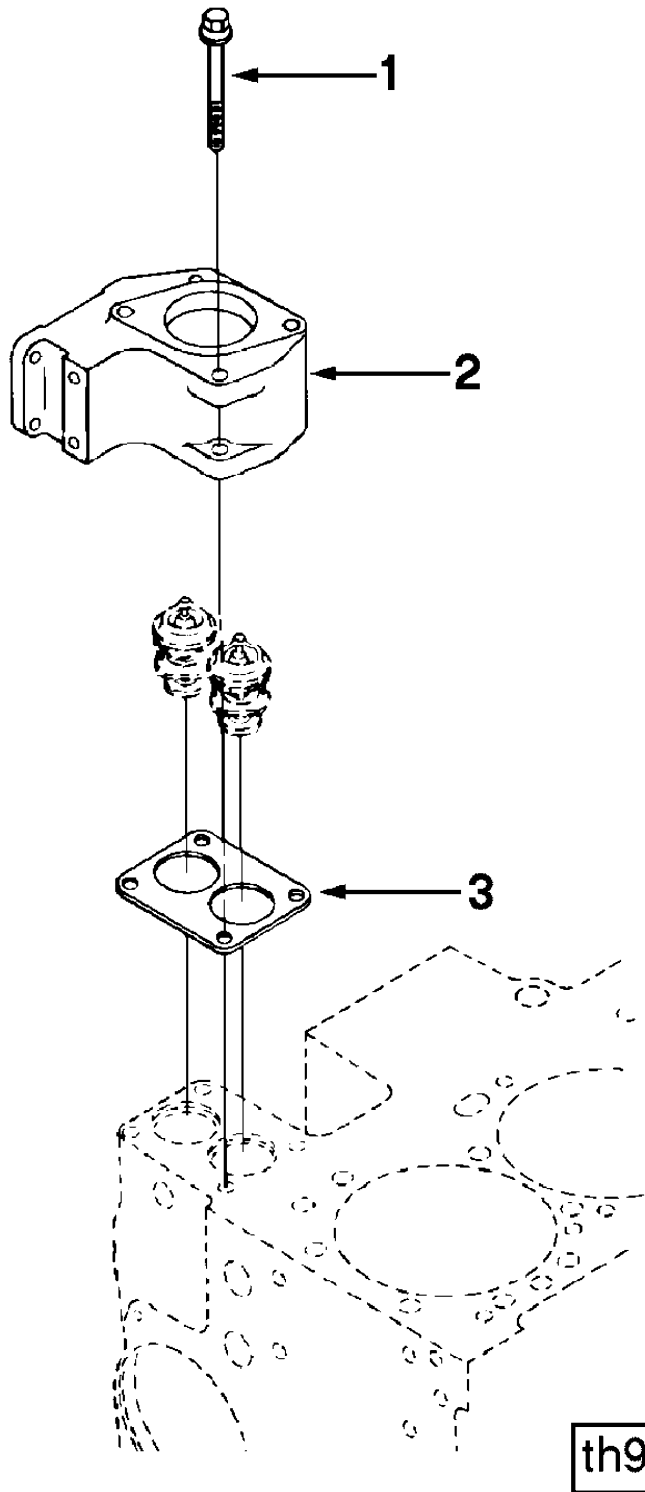


REF NO	PART NUMBER	PART NAME	REQ	REMARKS
	TB9091	Turbocharger Location	1	For rear mount turbo charged aftercooled 'C' series engines with wet exhaust manifold and turbo which are rated above 1800 RPM. Exhaust out starboard side.
1	210753	Clamp, Hose	4	9/16 - 1 1/4 inch
2	3903112	Screw, Hex Flange Head Cap	4	M10 x 1.50 x 30
	3918927	Connection Water Transfer	1	
3	3007636	Plug, Expansion	1	
4	(3904971)	Connection Water Transfer	1	
5	3907167	Coupling, Plain Hose	1	
6	3911732	Clamp, T Bolt	2	
7	3911942	Gasket, Exhaust Manifold	6	
	3912106	Manifold, Exhaust	1	
8	3908092	Plug, Expansion	3	
9	(3911670)	Manifold, Exhaust	1	
10	3918500	Tube, Air	1	
11	3025152	Hose, Plain	1	
12	3913751	Hose, Plain	1	
13	3914311	Gasket, Int Manifold Cover	1	
14	3914502	Aftercooler	1	
15	3916300	Gasket, Turbocharger	1	
16	3916518	Screw, Hex Flange Head Cap	8	M10 x 1.50 x 125
17	3916529	Hose, Plain	1	
18	3918109	Screw, Hex Flange Head Cap	18	M8 x 1.25 x 25
19	3912151	Plate, Clamping	2	
20	3918498	Screw, Hex Flange Head Cap	4	M10 x 1.50 x 145
21	140332	Clamp, T Bolt	2	
22	3910778	Decal	1	
23	S-920	Nipple, Plain Pipe	1	
24	3913724	Hose, Plain	1	
25	3283227	Coupling, Plain Hose	1	
26	3008468	Plug, Pipe	1	1/2 NPT
27	S-960	Tee, Female Pipe	1	
28	S-962-E	Draincock	1	

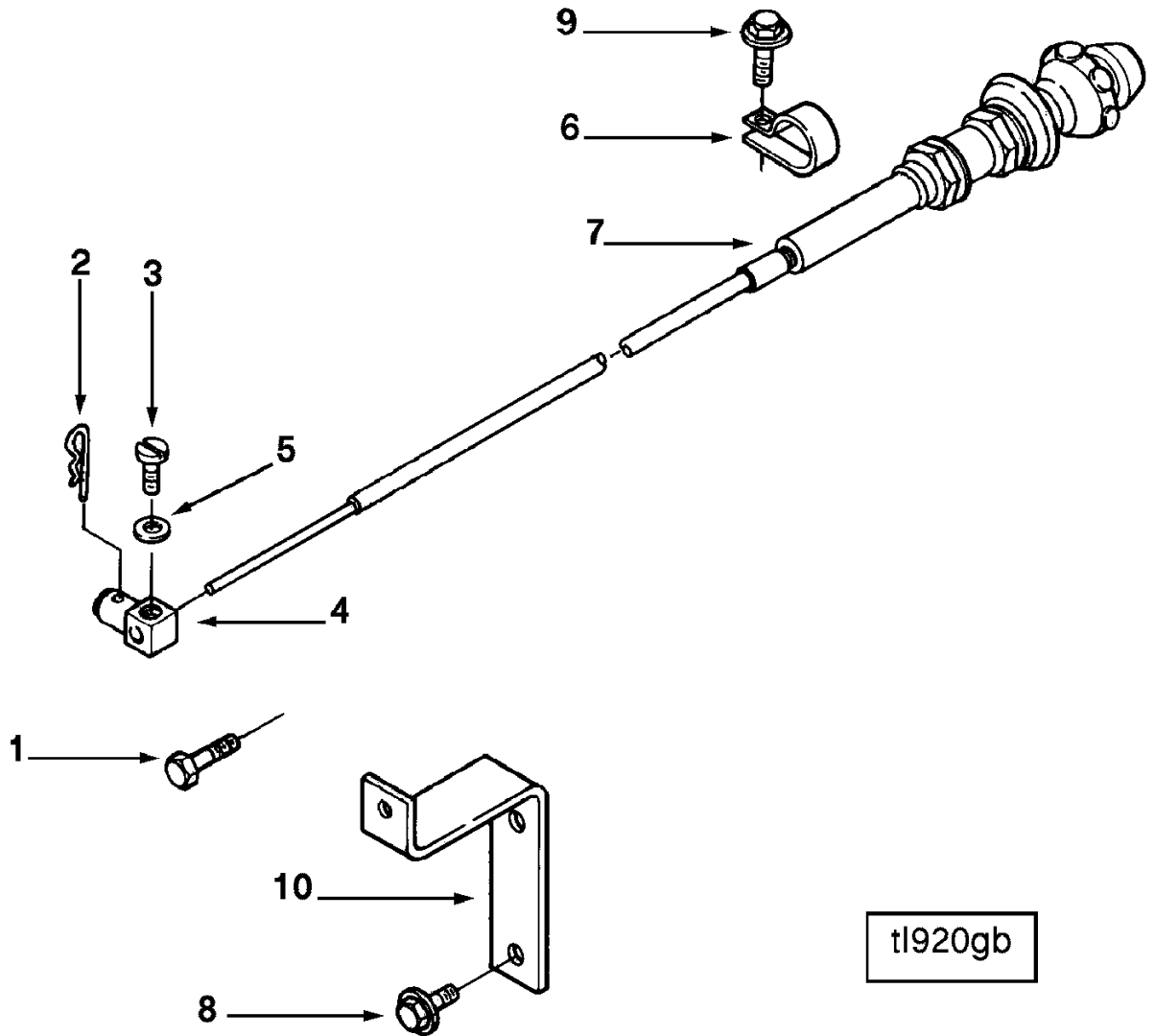


tb920gf

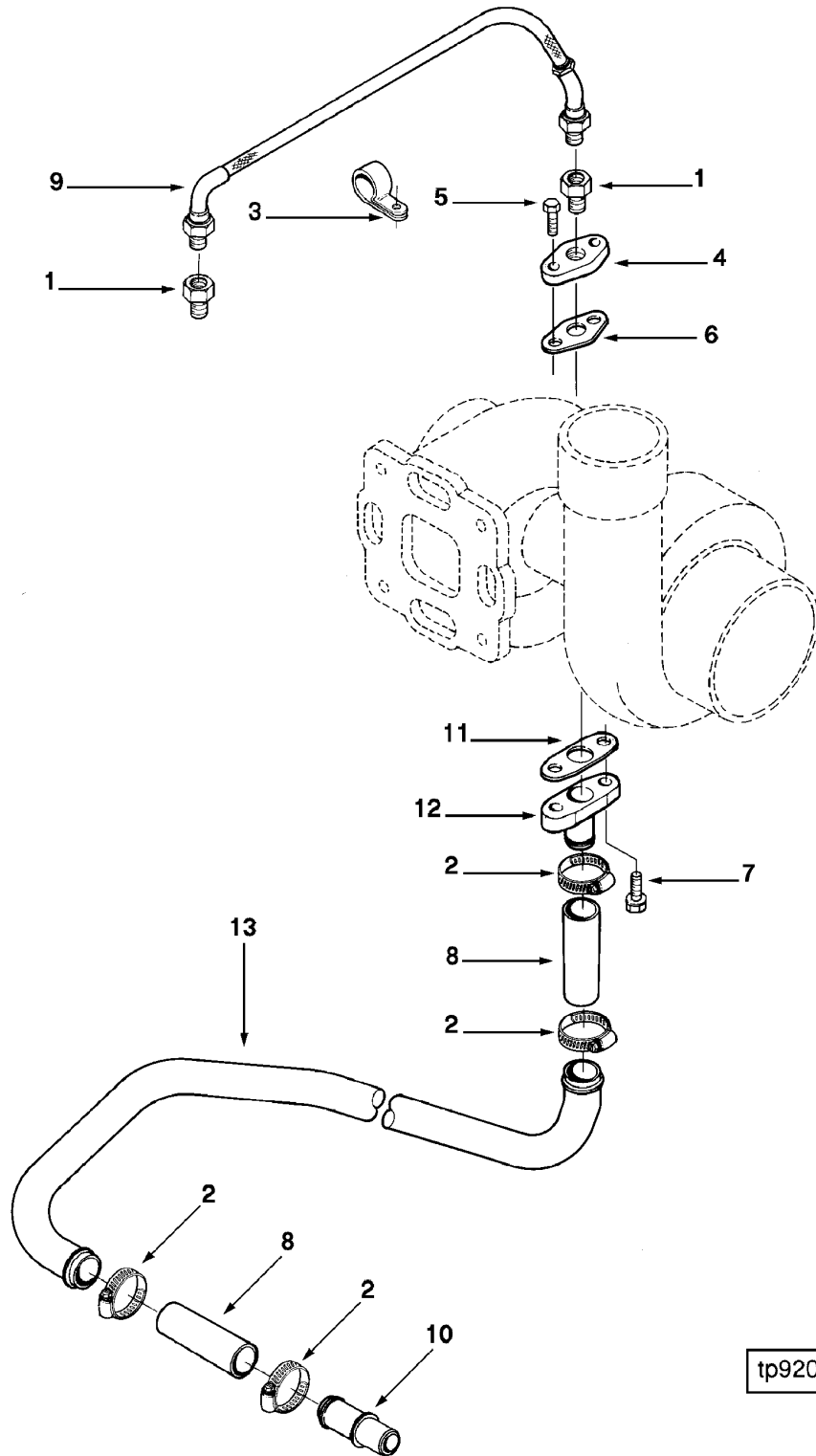
REF NO	PART NUMBER	PART NAME	REQ	REMARKS
	TB9731	Turbocharger Location	1	Water plumbing and mounting parts for heat exchanger cooled C series marine engines.
1	210753	Clamp, Hose	4	9/16 - 1 1/4 inch
2	3913751	Hose, Plain	1	
3	3913752	Hose, Plain	1	
4	3918498	Screw, Hex Flange Head Cap	4	M10 x 1.50 x 145
5	3283227	Coupling, Plain Hose	1	
6	3918942	Coupling, Elbow Hose	1	
7	3919667	Plate, Clamping	2	



REF NO	PART NUMBER	PART NAME	REQ	REMARKS
	TH9008	Thermostat Housing	1	THERMOSTAT Thermostat Bore: 43.50 Outlet Type/OD (MM): Flanged Outlet Direction: Vertical Bracket Direction: Vertical/Rearward Airation Method: Non-vented Tappings for Belt Tensioner: No Engine Families: C Series
1	3902112	Screw, Hex Flange Head Cap	2	M8 x 1.25 x 80
2	3926534	Housing, Thermostat	1	
3	3926534	Housing, Thermostat	1	
	3070475	Pin, Roll	2	
	(3926511)	Housing, Thermostat	1	

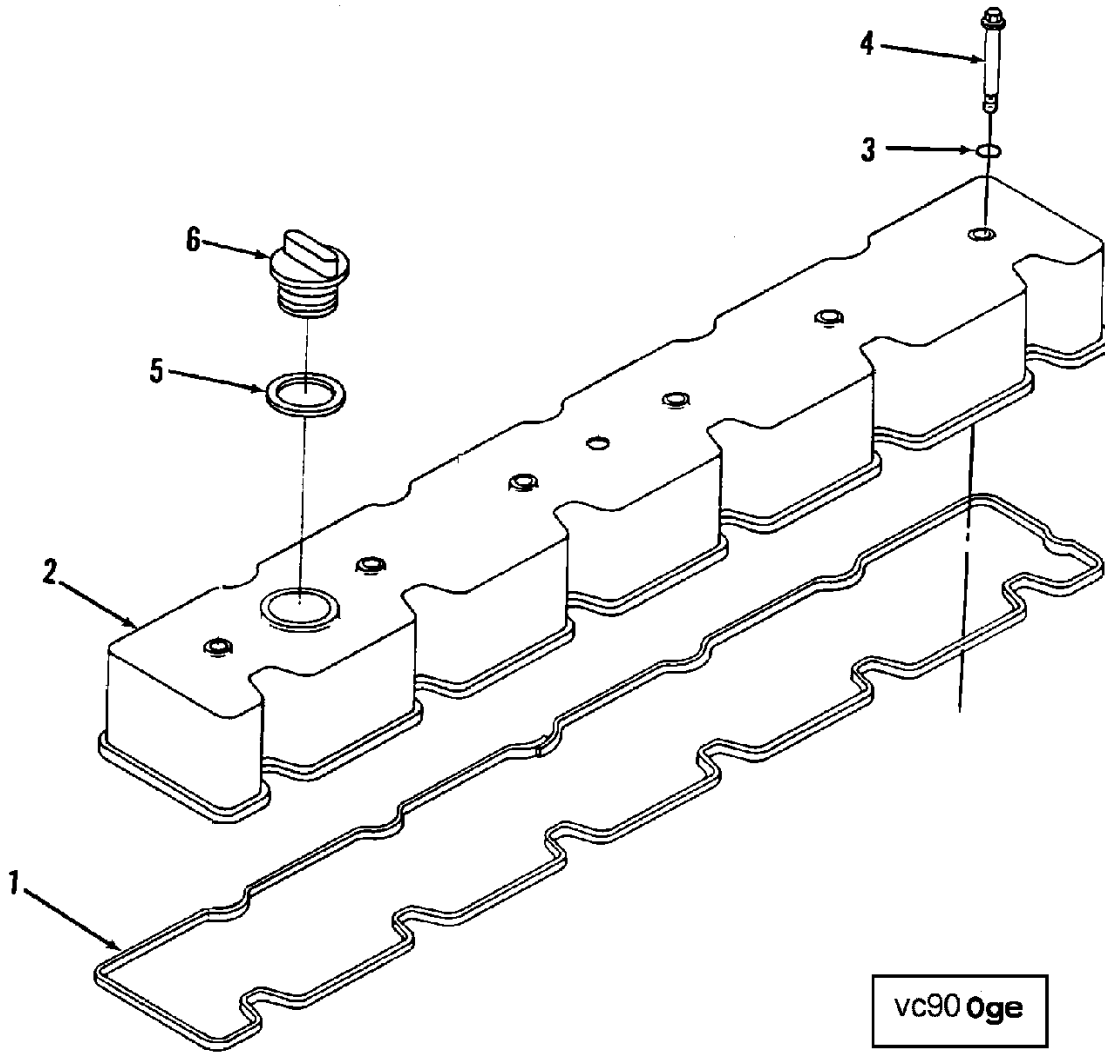


REF NO	PART NUMBER	PART NAME	REQ	REMARKS
	TL9022	Throttle Lever	1	Hardwate for manual operation of stoplever on Bosch "MW" fuel pump. Operated by Vernier control. For use on 6CTA Firepump engine.
1	S-118	Screw, Hexagon Head Cap	1	7/16-14 x 3/4 inch
2	S-511	Pin, Cotter	1	
3	70208	Screw, Pan Head	2	#10 - 32 x 3/8 inch
4	102483	End, Control Rod	2	
5	146159	Washer, Plain	1	1/4 Inch
6	180371	Clip	2	
7	3033379	Control, Vernier	1	
8	3900629	Screw, Hex Flange Head Cap	2	M8 x 1.25 x 16
9	3903990	Screw, Hex Flange Head Cap	1	M10 x 1.50 x 20
10	3919871	Bracket, Cable	1	



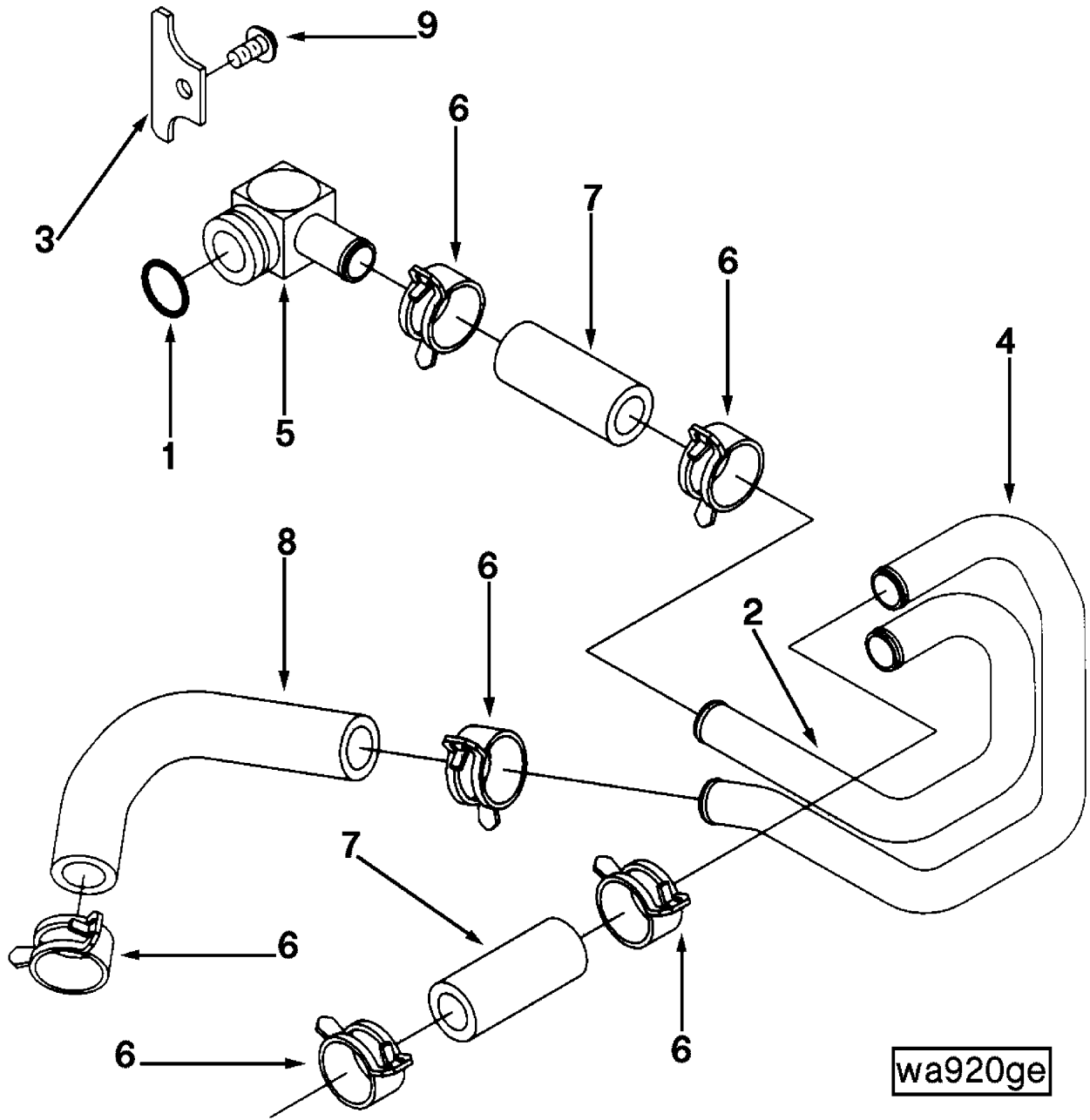
tp920gh

REF NO	PART NUMBER	PART NAME	REQ	REMARKS
	TP9767	Turbocharger Plumbing	1	Turbocharger Plumbing Structure Code: 02 EBM Engine Cylinders: 6 Engine Family: C Series Turbo Exhaust Location: RMSO Oil Filter Mounted Location: On engine Manifold Type: Wet Turbo Drain Line Routing: Outboard Block Drain Location: Rear drain.
	S-1008-1	Connector, Female	1	
	108722	Clip	2	
	3028870	Connection, Tur Oil Inlet	1	
	3519762	Gasket, Turbocharger	1	
	3819725	Clamp, Hose	2	9/16 - 1 3/8 inch
	3900630	Screw, Hex Flange Head Cap	2	M8 x 1.25 x 20
	3900631	Screw, Hex Flange Head Cap	2	M8 x 1.25 x 25
	3905084	Hose, Flexible	1	
	3912183	Hose, Plain	1	
	3919687	Connector, Female	1	
	3037236	Seal, O Ring	1	
	(3284244)	Connector, Female	1	
	3919814	Connection, Tur Oil Drain	1	
	3919815	Tube, Tur Oil Drain	1	
	3924389	Washer, Sealing	1	
	3931350	Gasket, Oil Drain	1	
	3931824	Seal, O Ring	1	
	3931827	Tube, Tur Oil Drain	1	
	3931970	Hose, Plain	1	

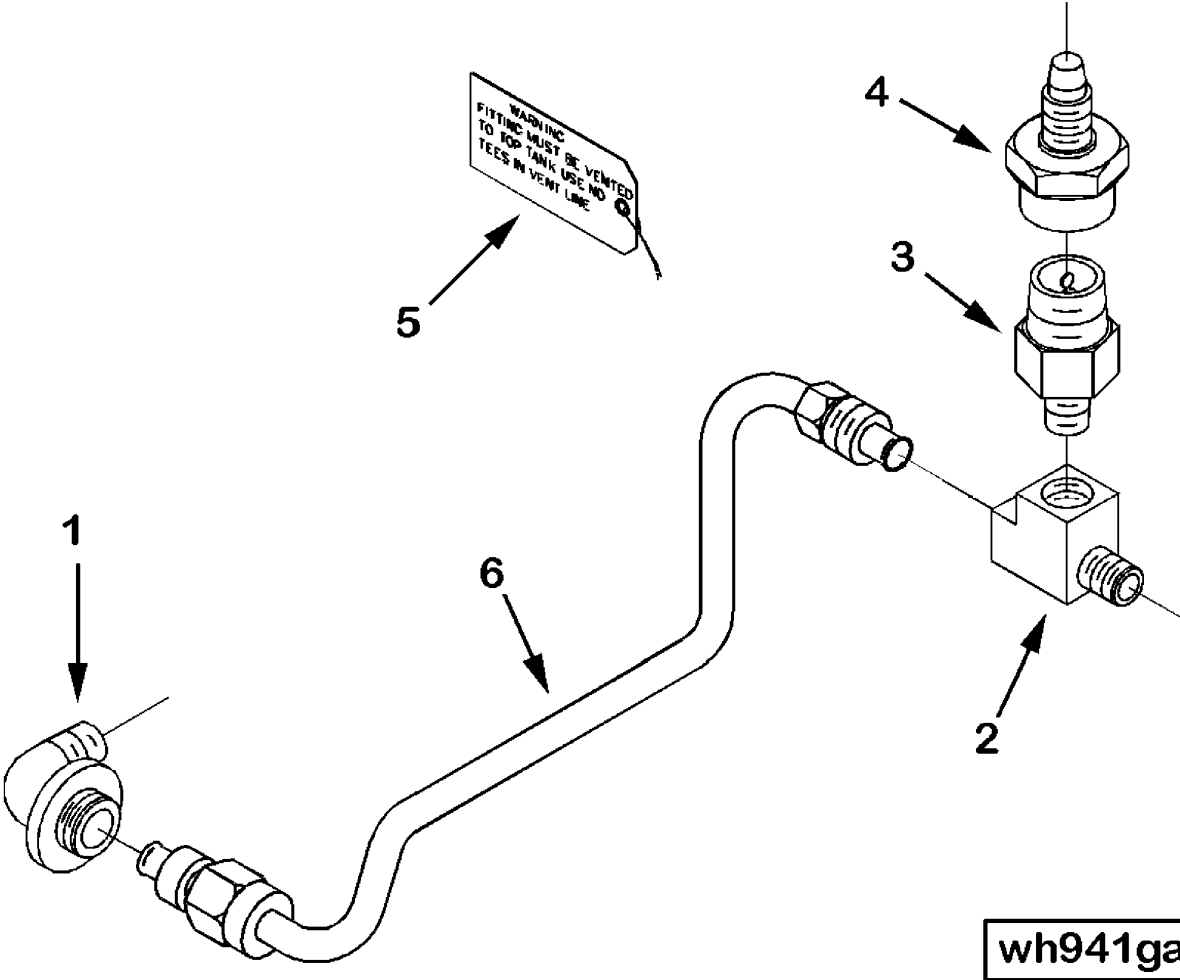


vc90 0ge

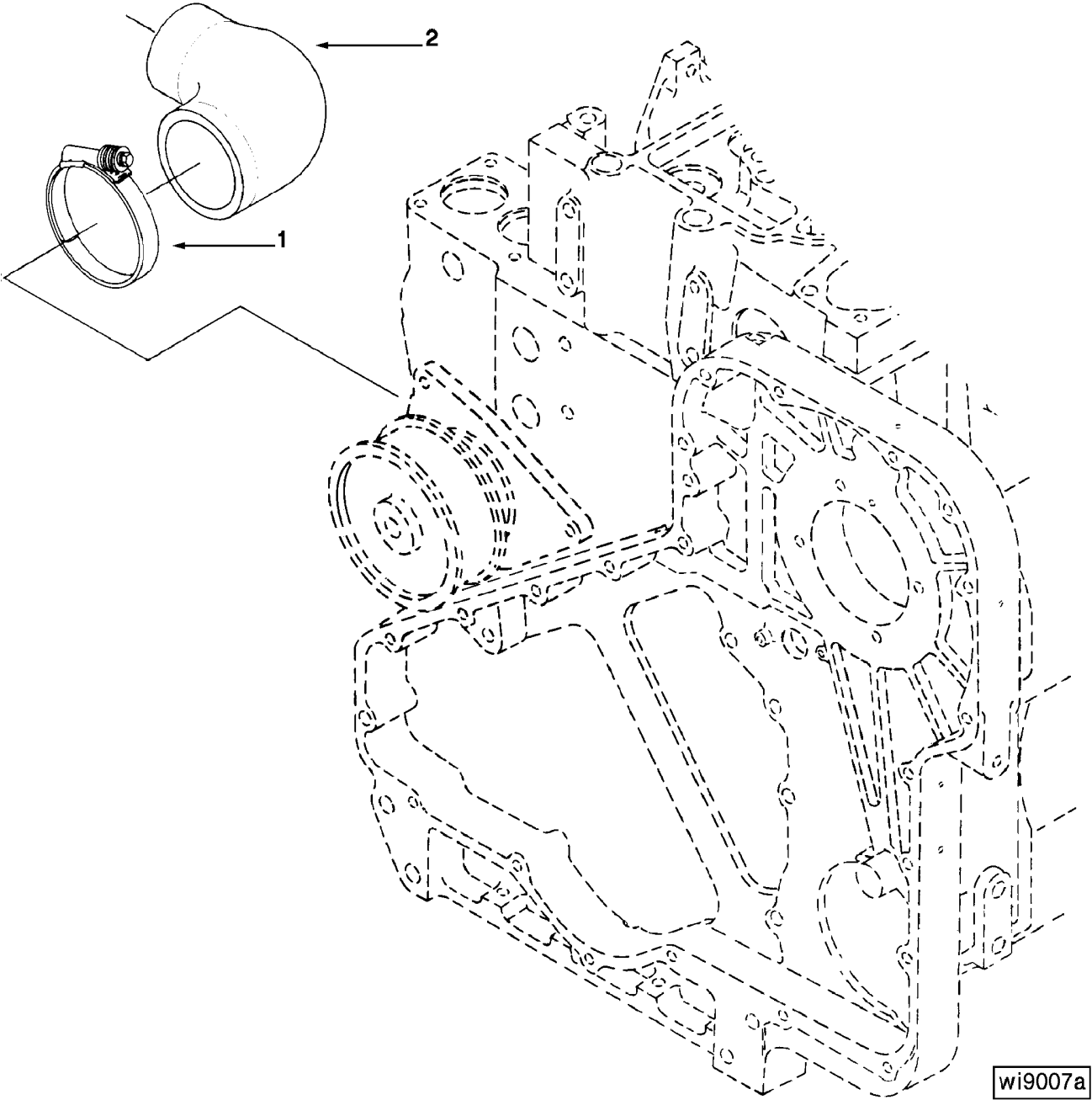
REF NO	PART NUMBER	PART NAME	REQ	REMARKS
	VC9073	Valve Cover	1	VALVE COVER Family: C Series Cylinders: 6 Oil Fill Cylinder: Between 1 & 2 Noise Supression Provision: No Breather Location: Between 3 & 4 Fuel Type: Diesel Breather Mounting: 22.26 mm diameter Structure Code: 02 EBM
1	3905449	Seal, Rocker Lever Cover	1	
2	3930903	Cover, Valve	1	
3	3910824	Seal, O Ring	6	9.25 dia x 1.78 thick
4	3916585	Screw, Hexagon Head Cap	6	M8 x 1.25 x 56
5	3902466	Seal, Rectangular Ring	1	
6	3902468	Cap, Filler	1	



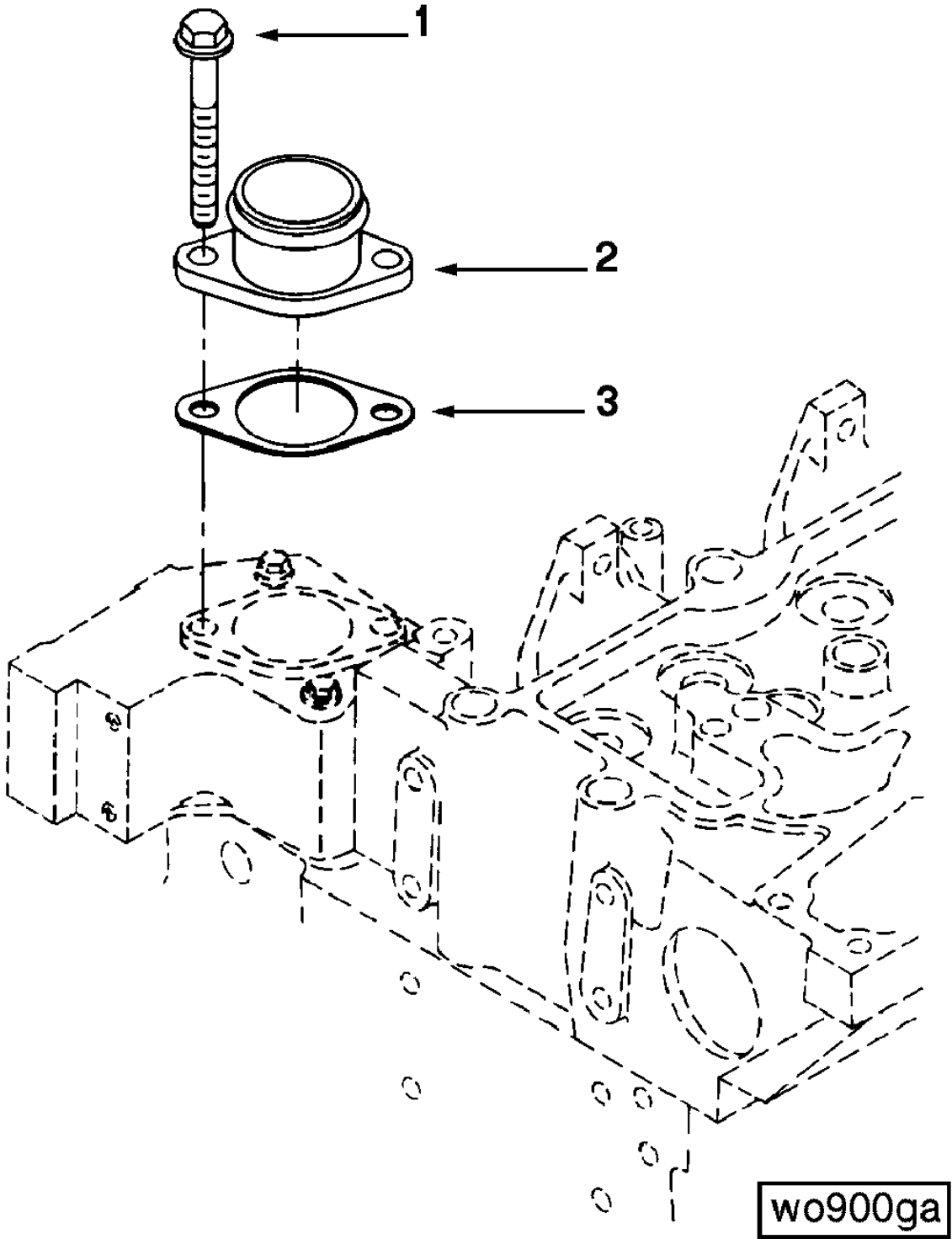
REF NO	PART NUMBER	PART NAME	REQ	REMARKS
	WA9717	Aftercooler Plumbing	1	Aftercooler water plumbing for use on 6CTAF, 6CTAM with series plumbing.
1	145530	Seal, O Ring	1	
2	3906436	Tube, Water Inlet	1	
3	3906439	Plate, Clamping	1	
4	3908402	Tube, Water Outlet	1	
5	3917394	Connection, Water Transfer	1	
6	3918163	Clamp, Hose	8	
7	3918611	Hose, Plain	3	
8	3925025	Hose, Molded	1	
9	3925883	Screw, Hex Flange Head Cap	1	M8 x 1.25 x 16



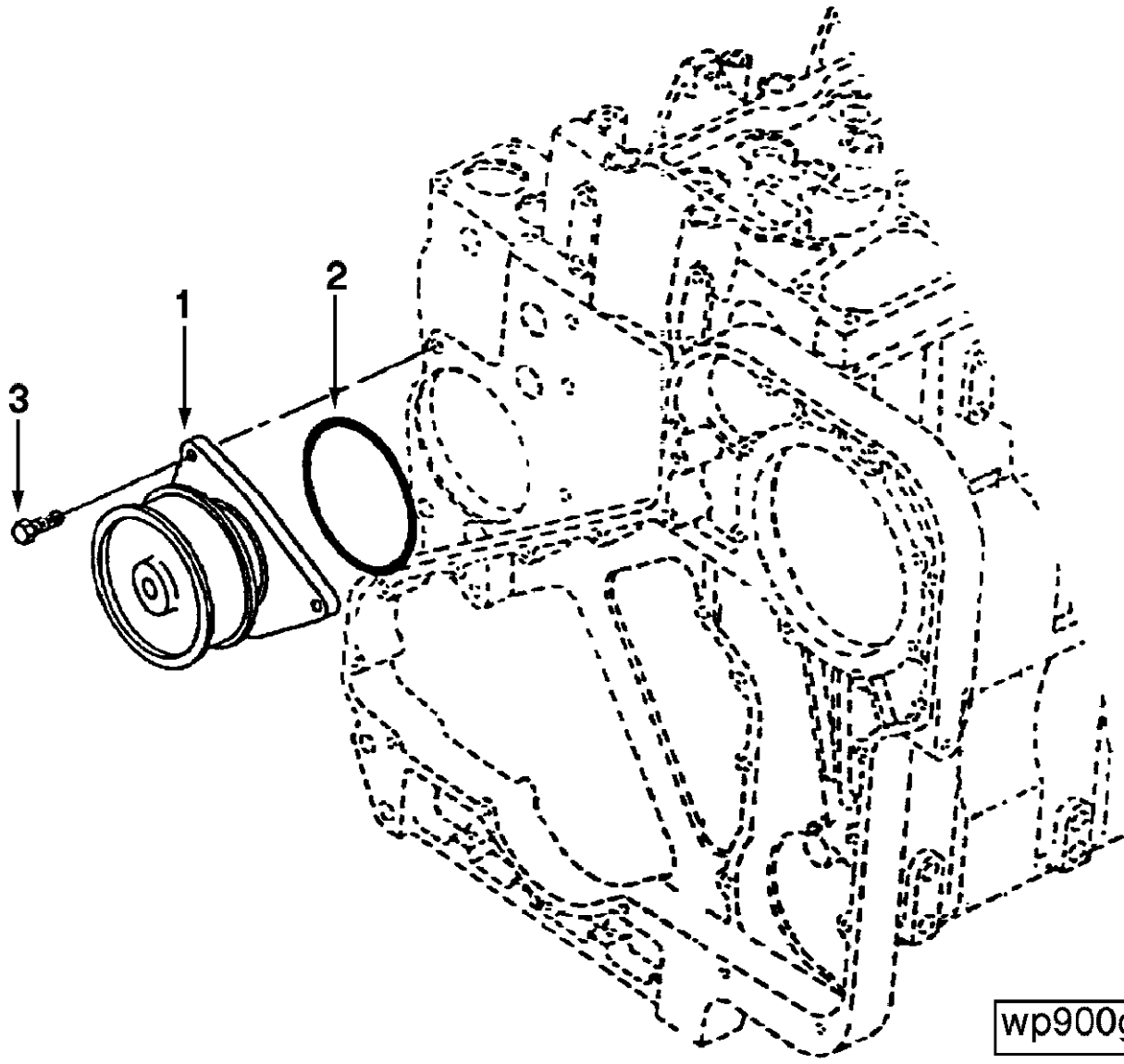
REF NO	PART NUMBER	PART NAME	REQ	REMARKS
	WH9015	Block Vent Plumbing	1	Cooling system vent arrangement for "C" Series marine engine configurations. 3921724 tag to be attached to the 3918497 connector. DEP may use 3283104 in place of 3908763.
1	S-1000-A	Elbow, Plain Adapter	1	
2	3908763	Tee, Plain Adapter	1	
3	3911901	Valve, Check	1	
4	3918497	Connector, Female	1	
5	(3921724)	Tag, Identification	1	
6	3930678	Tube, Vent	1	



REF NO	PART NUMBER	PART NAME	REQ	REMARKS
	WI9007	Water Inlet Connection	1	WATER INLET CONNECTION Structure Code: 02 EBM Engine Family: C Series Inlet Connection OD (MM): 58.00 Connection Type: Beaded Connection Orientation: 50 Degree Down Contains Mtg Pad for Freon Compressor: No Attachment for Low Profile Tensioner: No Unique Characteristics: For Butec Alternator and Crank Mtd. Fans
1	3918521	Clamp, Hose	1	59 - 83mm
2	3920762	Hose, Elbow	1	

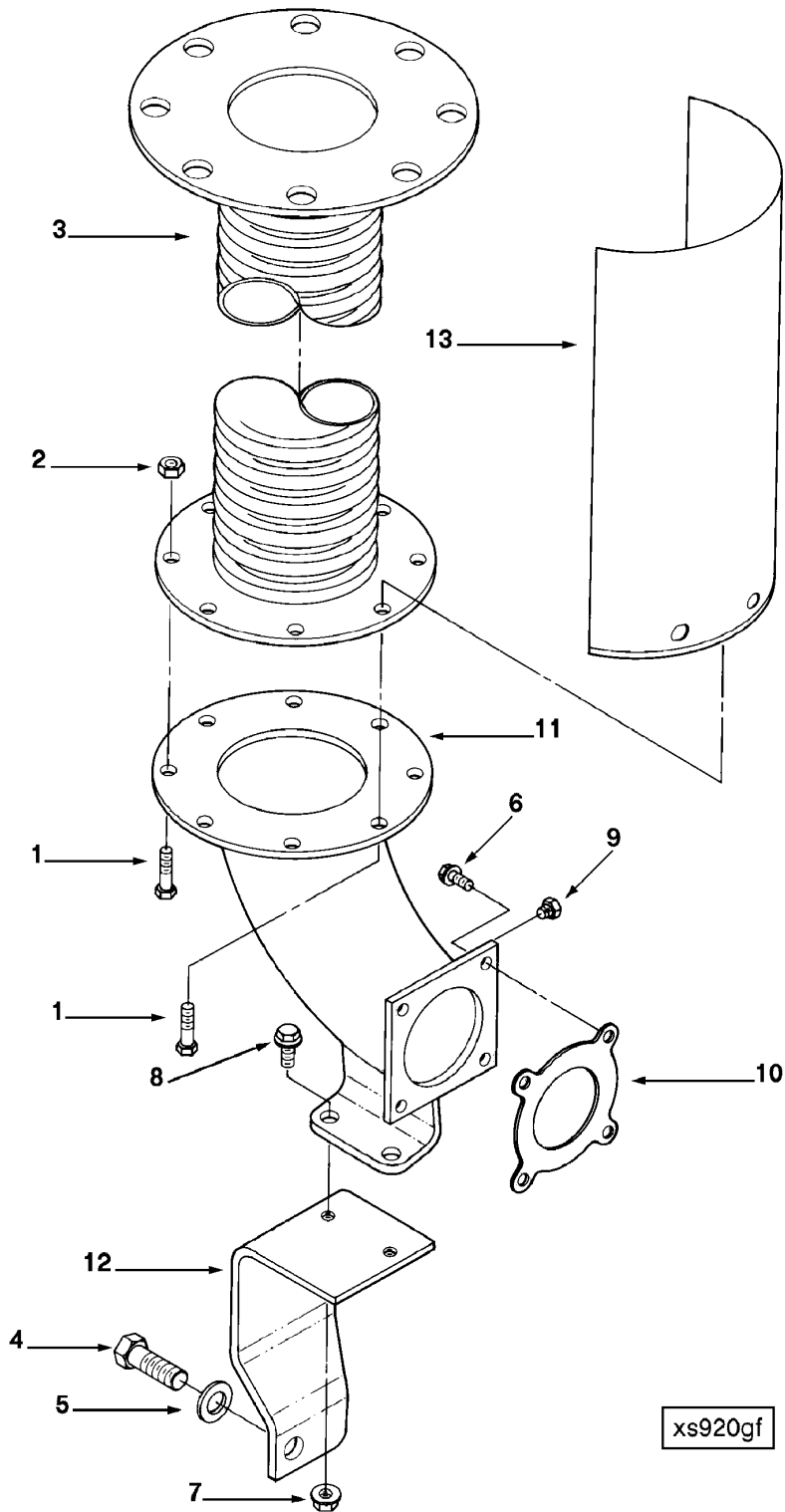


REF NO	PART NUMBER	PART NAME	REQ	REMARKS
	WO9010	Heater Plumbing	1	WATER OUTLET Connection Included: Yes Connection OD (MM): 45 Connection Orientation: Vertical Vent Fitting Included: No Outlet Center From Cyl. Head (MM): 41 Engine Family: C Series
1	3906715	Screw, Hex Flange Head Cap	2	M8 x 1.25 x 95
2	3912159	Connection, Water Outlet	1	
3	3918779	Gasket, Connection	1	



wp900gd

REF NO	PART NUMBER	PART NAME	REQ	REMARKS
	WP9013	Water Pump	1	Water Pump Pulley Type: Standard Engine Family: C Series Unique Characteristics: Increased bearing capacity Restricted Application: Marine Fire Pump 1.9: 1 Drive Ratio
	3802975	Pump, Water	1	
1	(3929614)	Pump, Water	1	
2	3902089	Seal, O Ring	1	
3	3926125	Screw, Hexagon Head Cap	3	



xs920gf

REF NO	PART NUMBER	PART NAME	REQ	REMARKS
	XS9089	Exhaust Connection	1	Exhaust Connection Engine Family: C Series Exhaust Manifold Type: Dry Exhaust Pipe Diameter (in.): 3.00 Connection Orientation: 90 deg vertical Turbocharger Type: Wastegate Restricted Cylinders: 6 Restricted Aspiration: Turbocharged Jacket Water Aftercooled.
1	S-103-D	Screw, Hexagon Head Cap	8	3/8 - 16 x 1 1/4 inch
2	S-225	Nut, Heavy Hexagon Jam	4	3/8-16 THD
3	203555	Connection, Exhaust Outlet	1	
4	3018006	Screw, Hexagon Head Cap	1	M16 x 2.00 x 45
5	554802	Washer, Plain	2	3/8 inch
6	3925883	Screw, Hex Flange Head Cap	4	M8 x 1.25 x 16
7	3902662	Nut, Hexagon Flange	2	M10 x 1.50
8	3010596	Screw, Captive Washer Cap	2	3/8 - 16 x 1 1/4 inch
9	3906619	Plug, Pipe	1	1/8 NPT
10	3921691	Gasket, Exh Out Connection	1	
11	3916326	Connection, Exhaust Outlet	1	
12	3919750	Brace, Exh Out Connection	1	
13	3919751	Shield, Heat	1	